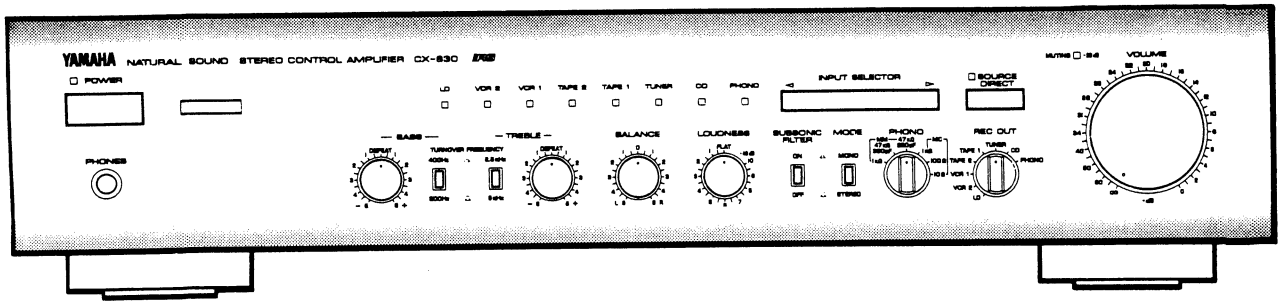


STEREO CONTROL AMPLIFIER CX-830

SERVICE MANUAL



CX-830

IMPORTANT NOTICE

This manual has been provided for the use of authorized Yamaha Retailers and their service personnel. It has been assumed that basic service procedures inherent to the industry, and more specifically Yamaha Products, are already known and understood by the users, and have therefore not been restated.

WARNING: Failure to follow appropriate service and safety procedures when servicing this product may result in personal injury, destruction of expensive components and failure of the product to perform as specified. For these reasons, we advise all Yamaha product owners that all service required should be performed by an authorized Yamaha Retailer or the appointed service representative.

IMPORTANT: The presentation or sale of this manual to any individual or firm does not constitute authorization, certification or recognition of any applicable technical capabilities, or establish a principle-agent relationship of any form.

The data provided is believed to be accurate and applicable to the unit(s) indicated on the cover. The research, engineering, and service departments of Yamaha are continually striving to improve Yamaha products. Modifications are, therefore, inevitable and specifications are subject to change without notice or obligation to retrofit. Should any discrepancy appear to exist, please contact the distributor's Service Division.

WARNING: Static discharges can destroy expensive components. Discharge any static electricity your body may have accumulated by grounding yourself to the ground buss in the unit (heavy gauge black wires connect to this buss).

IMPORTANT: Turn the unit OFF during disassembly and parts replacement. Recheck all work before you apply power to the unit.

CONTENTS

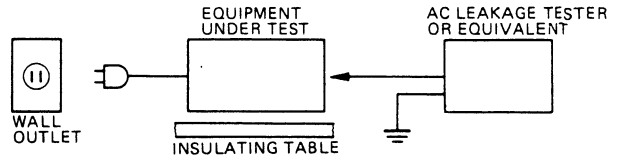
TO SERVICE PERSONNEL	1	ADJUSTMENTS	7
SPECIFICATIONS	2	BLOCK DIAGRAM	8
REAR PANELS	3	PRINTED CIRCUIT BOARD	9/10
INTERNAL VIEW	4	WIRING	11
DISASSEMBLY PROCEDURES	4	SCHEMATIC DIAGRAM	12
IC BLOCK	5~6	PARTS LIST	13

100334

YAMAHA
YAMAHA CORPORATION
P.O. Box 1, Hamamatsu, Japan

■ TO SERVICE PERSONNEL

1. Critical Components Information.
Components having special characteristics are marked Δ and must be replaced with parts having specifications equal to those originally installed.
2. Leakage Current Measurement (For 120V Model Only).
When service has been completed, it is imperative that you verify that all exposed conductive surfaces are properly insulated from supply circuits.
 - Meter impedance should be equivalent to 1500 ohm shunted by 0.15 μ F.
 - Leakage current must not exceed 0.5mA.
 - Be sure to test for leakage with the AC plug in both polarities.

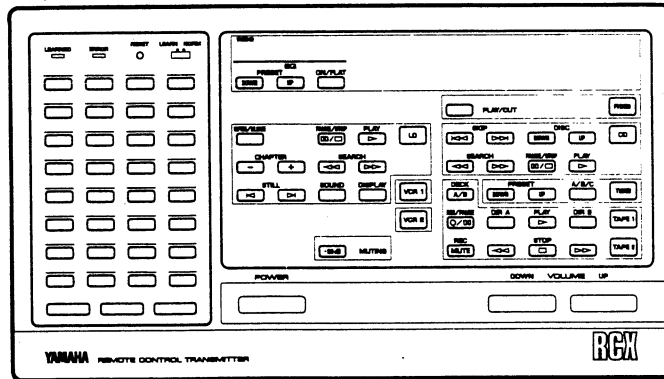


• POLARIZATION

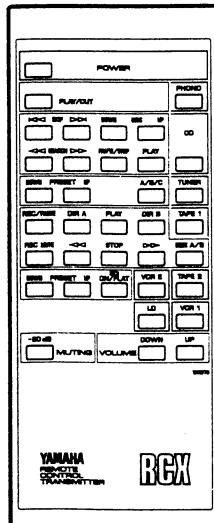
This amplifier product is equipped with a polarized alternating-current lineplug (a plug having one blade wider than the other). This plug will fit into the power outlet only one way. This is a safety feature. (U,C Model only)

■ REMOTE CONTROL TRANSMITTER

- U.S.A. and Canadian models



- European, British, Australian and General models



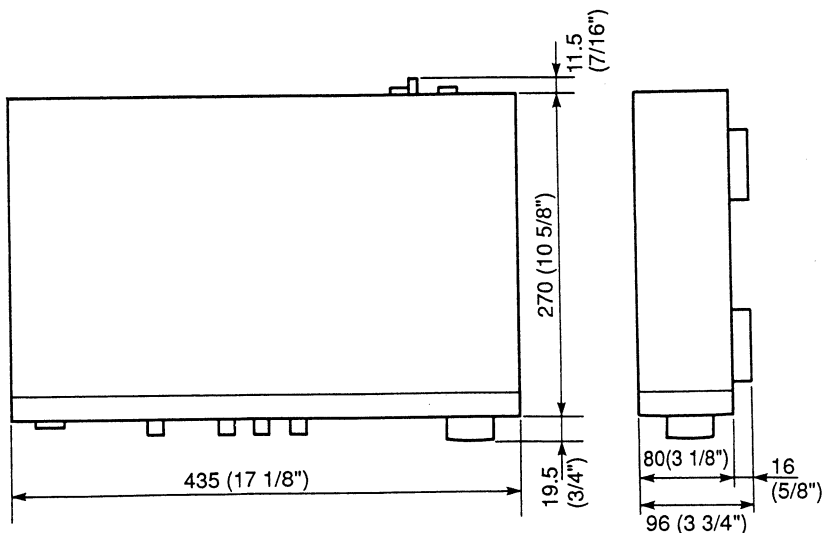
SPECIFICATIONS

Input Sensitivity/Impedance	
Phono MC	100 μ V/10 Ω , 100 Ω , 1k Ω
MM	2.5 mV/1 k Ω , 47 k Ω (220p, 330p)
CD/TUNER/TAPE1/TAPE2/VCR1/ VCR2/LD	150 mV/47 k Ω
Input Sensitivity (New IHF)	
Phono MC	33 μ V
MM	0.83 mV
CD/TUNER/TAPE1/TAPE2/VCR1/ VCR2/LD	50 mV
Maximum Input Signal	
1 kHz, 0.01% THD, Phono MC	7 mV
1 kHz, 0.01% THD, Phono MM	180 mV
Output Level/Impedance	
REC OUT	150 mV/2.5 k Ω
PRE OUT	1.5V/47 Ω
Maximum Voltage Output	
20 Hz - 20 kHz, 1% THD	12V
Headphone Jack Rated Output/Impedance	
Output Level (0.005% THD RL = 100 Ω)	4.5V
Impedance	68 Ω
Frequency Response	
CD/TUNER/TAPE1/TAPE2/VCR1/ VCR2/LD	20 Hz - 20 kHz (+0, -0.2 dB)
RIAA Equalization Deviation	
Phono MC/MM	20 Hz - 20 kHz (\pm 0.2/ \pm 0.2 dB)
Total Harmonic Distortion	
20 Hz - 20 kHz	
Phono MC to REC OUT, 1.5V	0.002%
MM to REC OUT, 1.5V	0.001%
CD/TUNER/TAPE1/TAPE2/VCR1/ VCR2/LD to Pre Out, 1.5V	0.001%
Signal-to-Noise Ratio (IHF-A Network)	
Phono MC (500 μ V Input Shorted)	90 dB
MM (5 mV Input Shorted)	95 dB
CD/TUNER/TAPE1/TAPE2/VCR1/VCR2/ LD (Shorted)	106 dB
Residual Noise (IHF-A Network)	6 μ V
Channel Separation	
(Vol -30 dB)	
Phono MC, MM Input shorted	
1 kHz/10 kHz	80 dB/70 dB
CD/TUNER/TAPE1/TAPE2/VCR1/VCR2/LD	
Input 5.1 k Ω Terminated	
1 kHz/10 kHz	75 dB/60 dB
Tone Control Characteristics	
Bass	
Boost/Cut	\pm 10 dB (20 Hz)
Turnover frequency	200 Hz - 400 Hz
Treble	
Boost/Cut	\pm 10 dB (20 kHz)
Turnover frequency	2.5 kHz - 5 kHz

Video Input Sensitivity/Impedance	
VCR1, VCR2, LD	1 V _{p-p} /75 Ω
Video Output Level/Impedance	
VCR OUT, MONITOR OUT	1 V _{p-p} /75 Ω
Filter Characteristics	
Subsonic	15 Hz, -12 dB/oct
Continuous Loudness Control (Level Related Equalization)	
Attenuation	-40 dB (1 kHz)
Audio Muting	
	2 dB
Gain Tracking Error	
(0 - -60 dB)	2 dB
Power Supply	
U.S.A. and Canadian models	AC 120V/60 Hz
British and Australian models	AC 240V/50 Hz
European model	AC 220V/50 Hz
General model	AC 110/120/220/240 V 60/50 Hz
Power Consumption	
	30W
AC Outlets	
U.S.A, Canadian and General models	
Switched (2)	200 W max.
Unswitched (1)	300 W max.
General model	
Switched (2)	200 W max.
Unswitched (1)	400 W max.
British, Australia, and Europe models	
Switched (1)	100 W max.
Dimensions (W x H x D)	
	435 x 96 x 301 mm (17-1/8" x 3-3/4" x 11-7/8")
Weight	5.4 kg (11 lbs. 14 oz.)

* Specifications subject to change without notice.

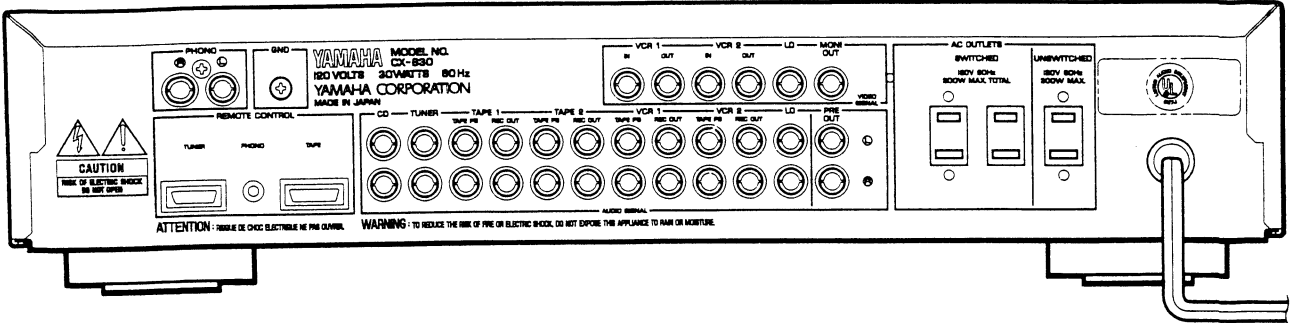
DIMENSIONS



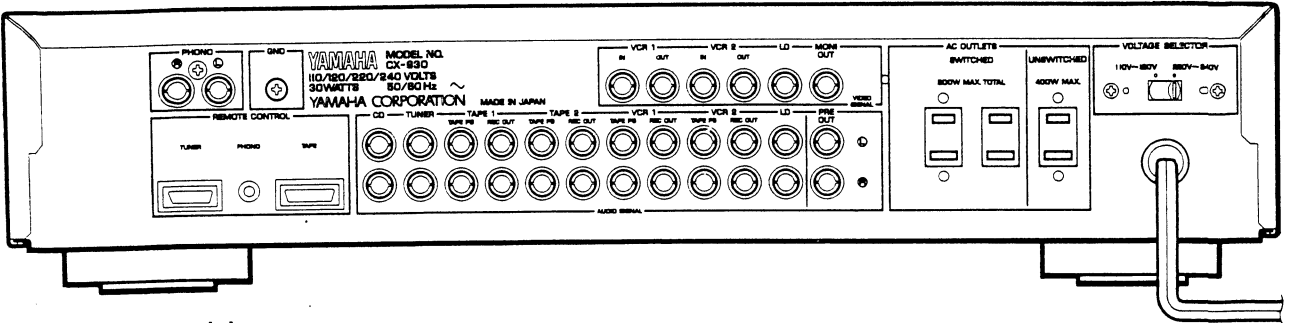
UNIT: mm (inch)

REAR PANEL

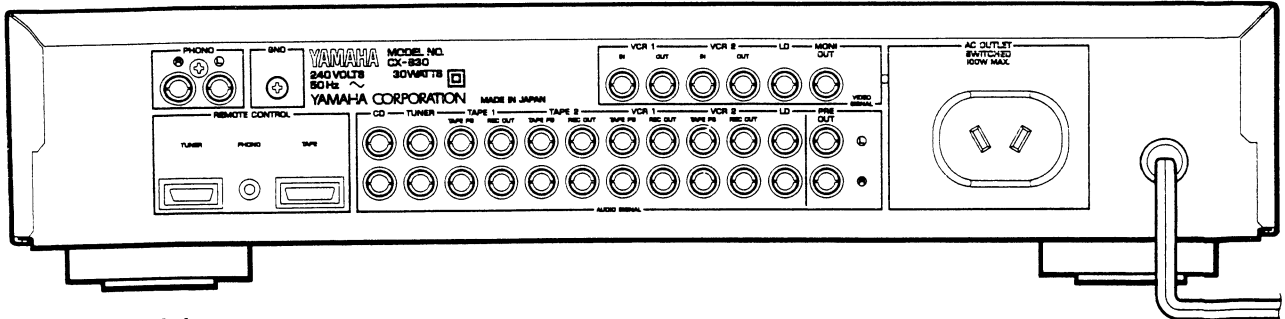
- U.S.A. and Canadian models



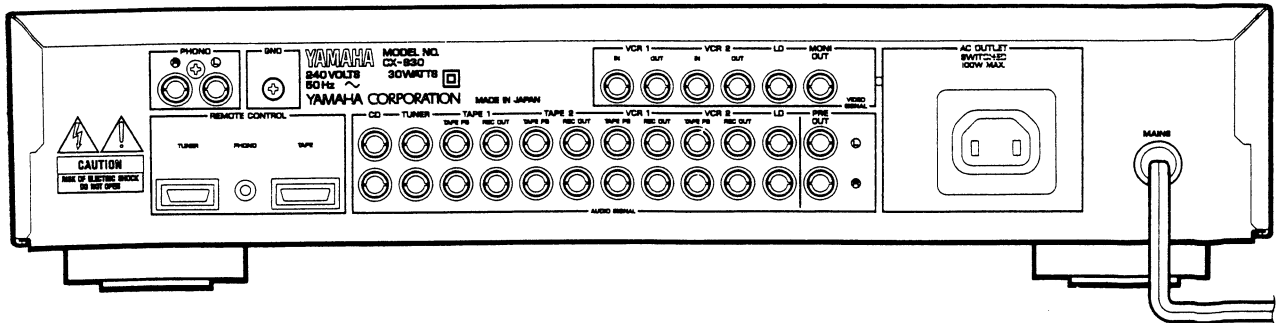
- General model



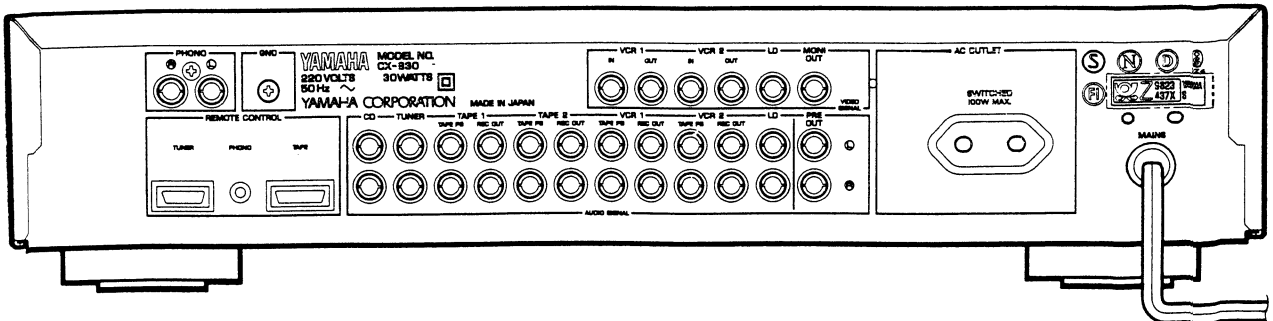
- Australian model



- British model

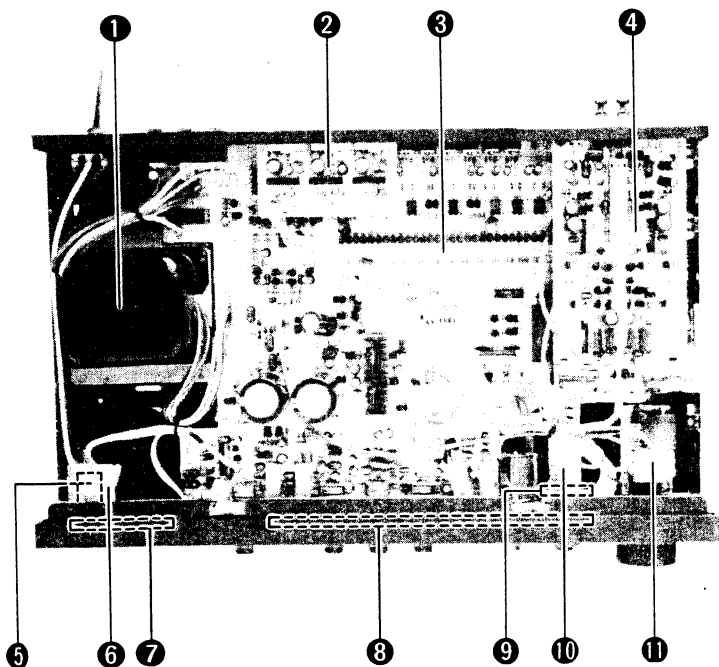


- European model



CX-830

INTERNAL VIEW

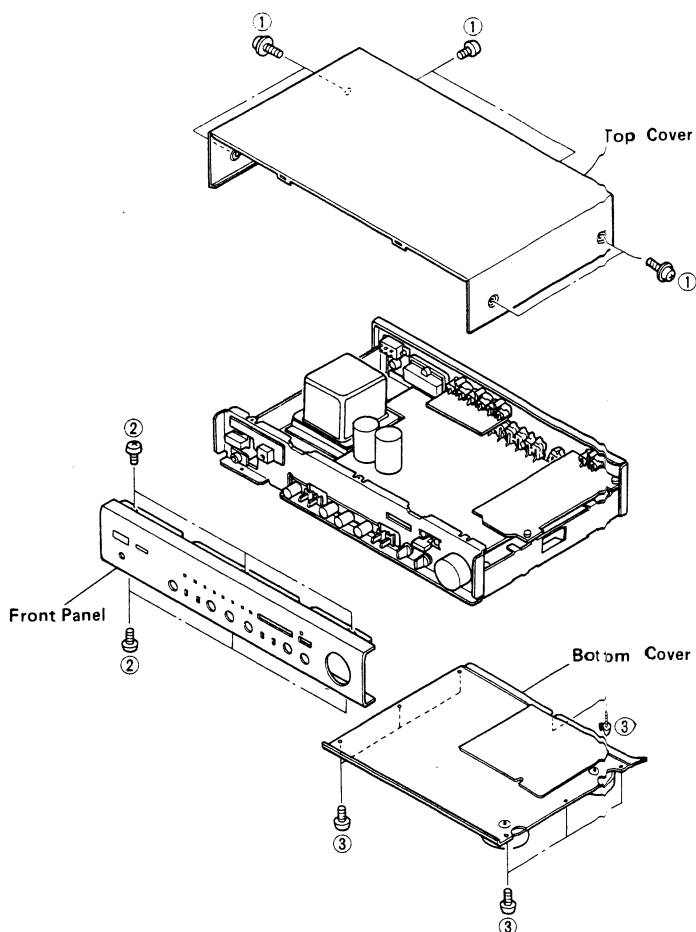


- ① POWER TRANSFORMER
U, C models : XH008A0
R model : XH009A0
A, B models : XH010A0
G model : XH011A0
- ② EQUALIZER CIRCUIT BOARD (2)
- ③ MAIN CIRCUIT BOARD (1)
- ④ EQUALIZER CIRCUIT BOARD (1)
- ⑤ MAIN CIRCUIT BOARD (7)
- ⑥ MAIN CIRCUIT BOARD (5)
- ⑦ EQUALIZER CIRCUIT BOARD (3)
- ⑧ MAIN CIRCUIT BOARD (2)
- ⑨ MAIN CIRCUIT BOARD (6)
- ⑩ MAIN CIRCUIT BOARD (4)
- ⑪ MAIN CIRCUIT BOARD (3)

CX-830

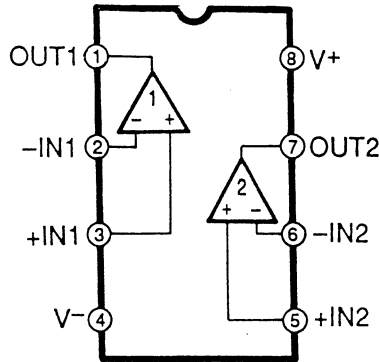
DISASSEMBLY PROCEDURES

1. **Removal of Top Cover**
Remove 6 screws (①) in Fig. 1, and slide the Top Cover back and up.
2. **Removal of Front Panel**
Remove 6 screws (②) in Fig. 1.
3. **Removal of Bottom Cover**
Remove 7 screws (③) in Fig. 1.

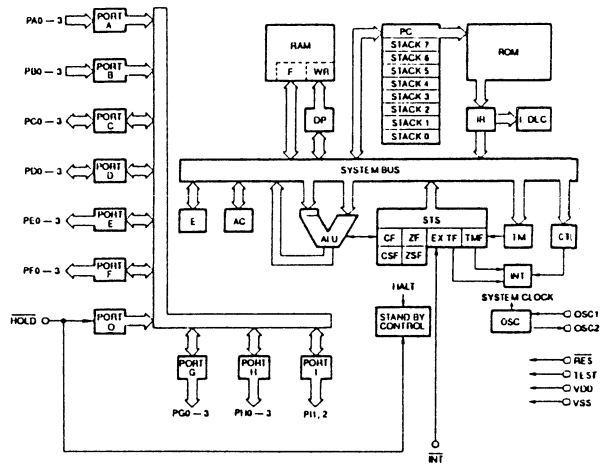
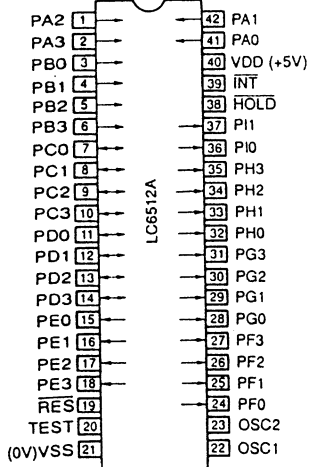


■ IC BLOCK

- IC1 ~ 7, 12, 13 : NJM2041D-D
Ope-Amp.



- IC11 : LC6512A-4345
Microcomputer

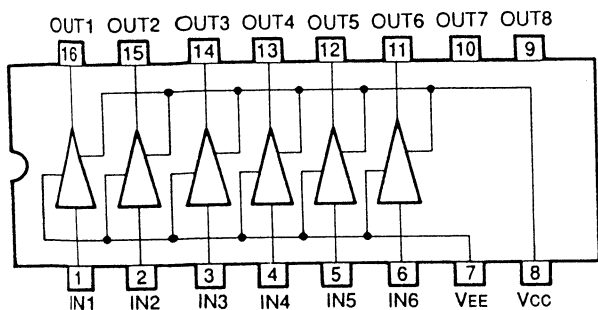


Pin No.	Terminal Name	Function	Pin No.	Terminal Name	Function
1	PA2	GND	22	OSC1	
2	PA3	GND	23	OSC2	
3	PB0	Input Selector UP	24	PF0	PHONO Input
4	PB1	Input Selector DOWN	25	PF1	CD Input
5	PB2	GND	26	PF2	TUNER Input
6	PB3	GND	27	PF3	TAPE 1 Input
7	PC0		28	PG0	TAPE 2 Input
8	PC1	NC	29	PG1	VCR 1 Input
9	PC2	NC	30	PG2	VCR 2 Input
10	PC3	RS Remote Control PHONO	31	PG3	LD Input
11	PD0	RS Remote Control TAPE	32	PH0	Volume Down
12	PD1	RS Remote Control TAPE	33	PH1	Volume Up
13	PD2	RS Remote Control TAPE	34	PH2	RS Remote Control TUNER
14	PD3	RS Remote Control TAPE	35	PH3	RS Remote Control TUNER
15	PE0	Power On/Off	36	PI0	Audio Mute
16	PE1	Video Input Control LD	37	PI1	Mute
17	PE2	Video Input Control VCR 1	38	HOLD	
18	PE3	NC	39	INT	+5V
19	RES		40	VDD	+5V
20	TEST	GND	41	PA0	Remote Control Input
21	VSS	GND	42	PA1	Power Switch

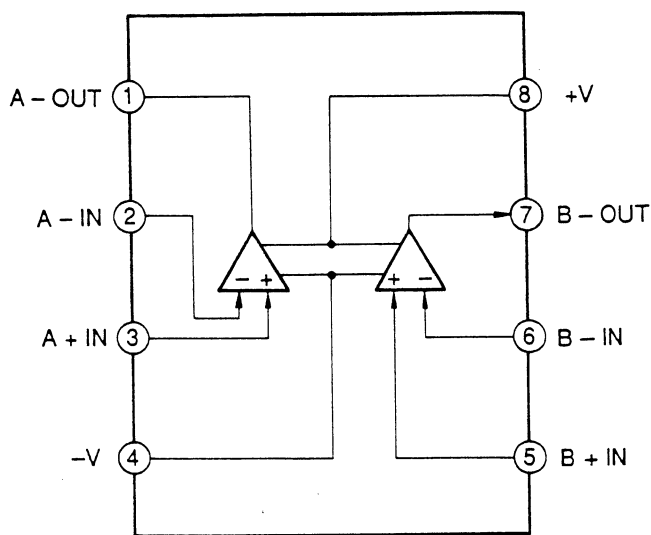
Video Input Control Selector

Pin No.	LD	VCR 1	VCR 2
16	H	L	L
17	L	H	L

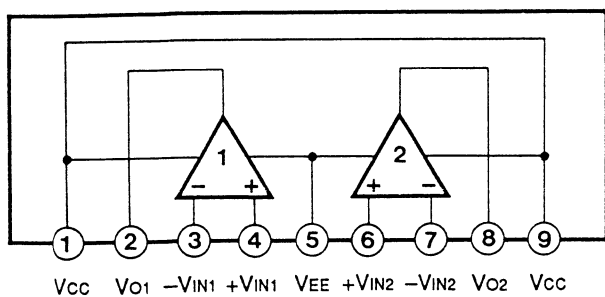
- IC8 : LB1294
Driver



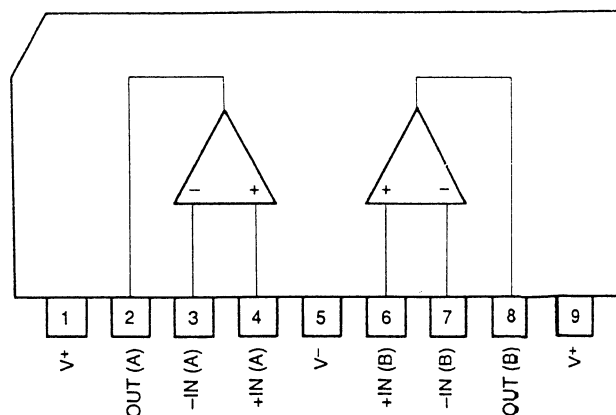
- IC14 : NJM5532D-D
Ope-Amp.



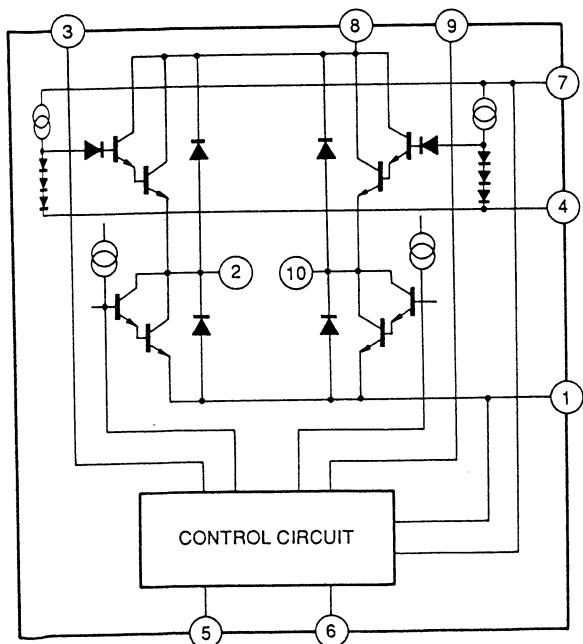
- IC15 : NJM4556S
Ope-Amp.



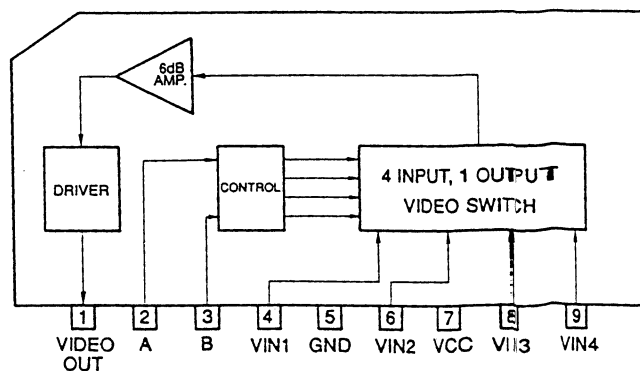
- IC401 ~ 404 : NJM5532S-D
Ope-Amp.



- IC10 : BA6229
Driver



- IC405 ~ 407 : LA7956



A (2 pin)	B (3 pin)	VIN1 (4 pin)	VIN2 (6 pin)	VIN3 (8 pin)	VIN4 (9 pin)
H	H	ON	OFF	OFF	OFF
L	H	OFF	ON	OFF	OFF
H	L	OFF	OFF	ON	OFF
L	L	OFF	OFF	OFF	ON

CX-830

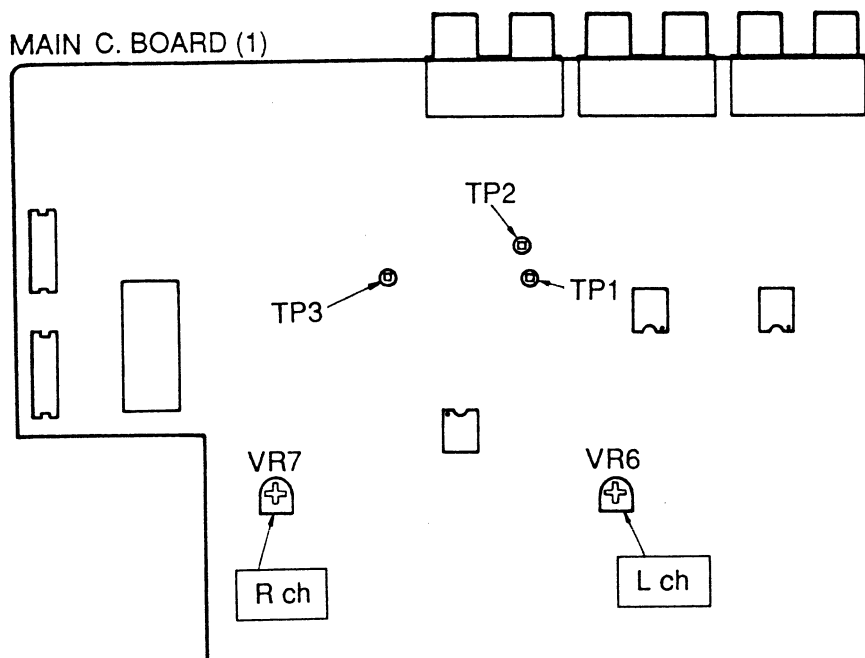
ADJUSTMENTS

IDLING CURRENT ADJUSTMENT

Set the VOLUME to the minimum position.

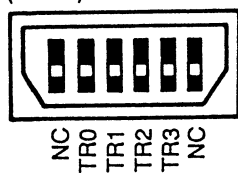
After the power has turned on, age about 3 minutes in no signal and non loaded condition.

	Test points	Adjust point	Rating
L ch	Across the terminals of TP1 and TP2	VR6	0mV ±5mV
R ch	Across the terminals of TP3 and TP2	VR7	0mV ±5mV



Remote Control Terminal

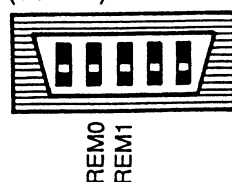
(TAPE)



TR3	TR2	TR1	TR0	MODE
L	L	L	L	NO DATA
L	L	L	H	STOP
L	L	H	L	FF
L	L	H	H	REW
L	H	L	L	PLAY
L	H	L	H	REC PAUSE
L	H	H	L	REC MUTE
H	H	H	H	A/B
H	H	L	L	DIR A
H	H	L	H	DIR B

Note) H 3V ~ 5V
 L Less than 0.6V
 Pulse .. More than 30msec

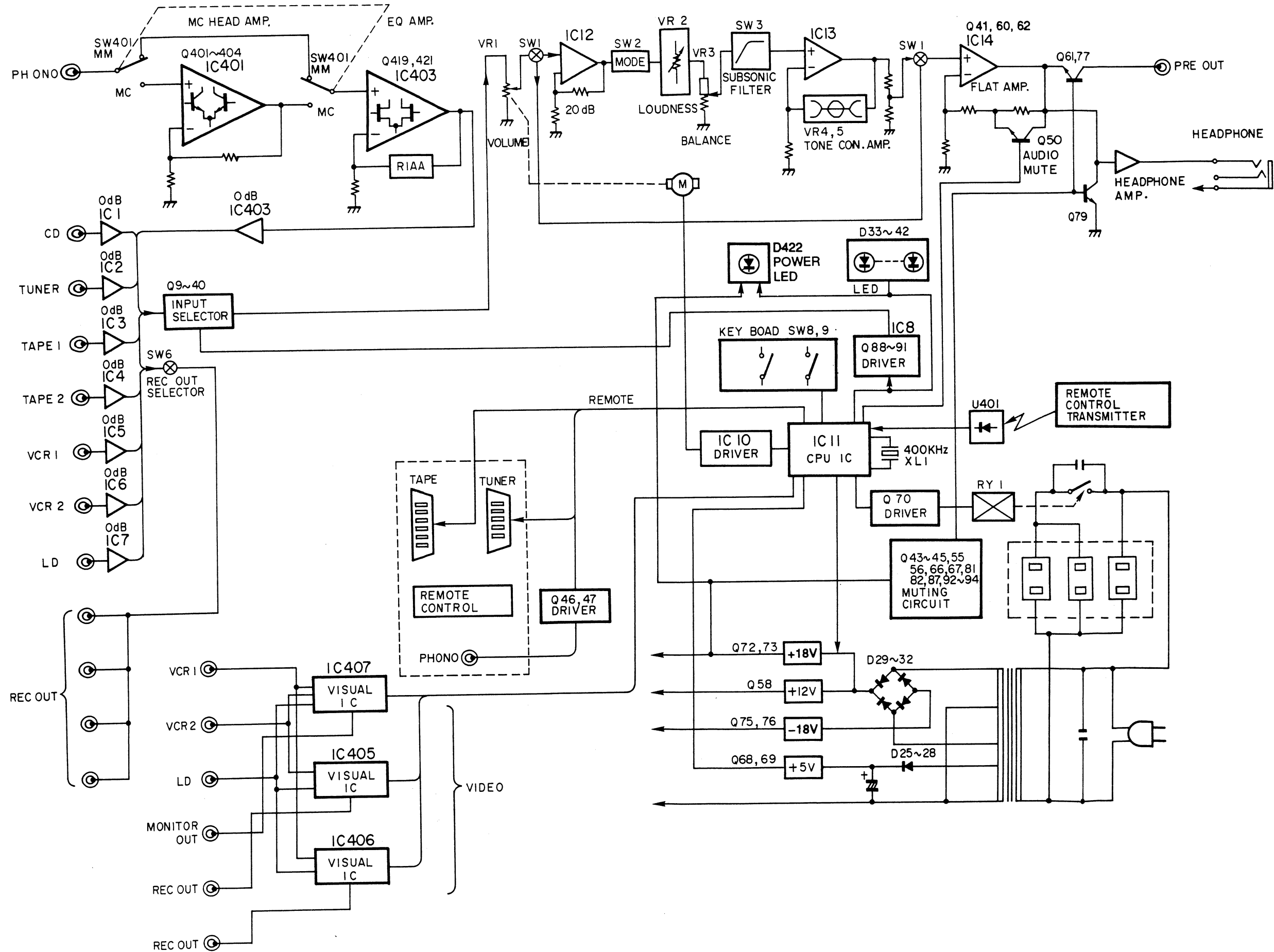
(TUNER)



MODE	REM 0	REM 1
UP	H	L
DOWN	L	H
P1-P8/P9-P16	H	H

L= 0 ~ 1.5V
 H=3.3 ~ 5.5V

■ BLOCK DIAGRAM

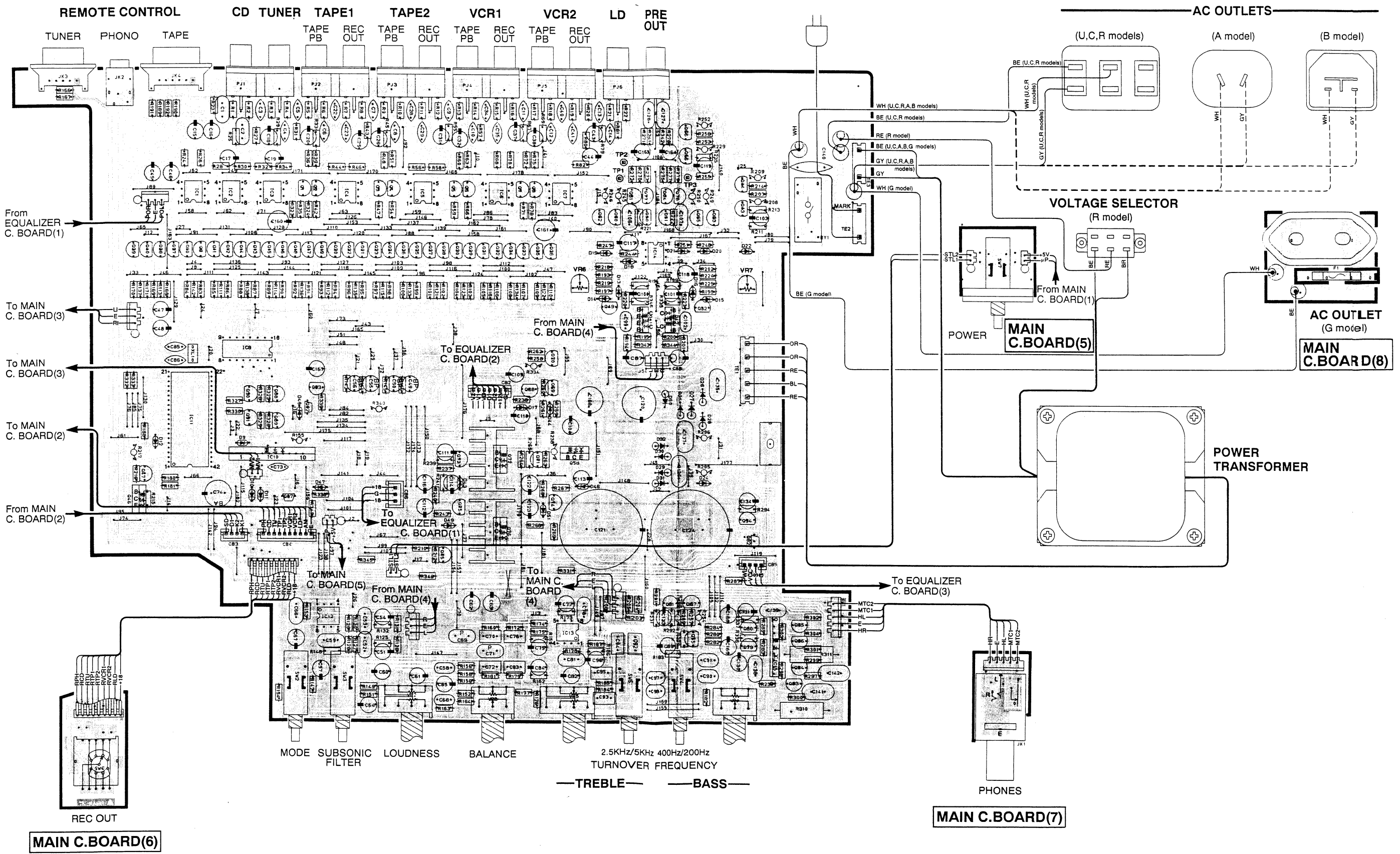


CX-830

PRINTED CIRCUIT BOARD (Pattern side)

Notes) 文字面 : Component side

MAIN C. BOARD(1)



1
2
3
4
5
9

MAIN C. BOARD(6)

MAIN C. BOARD(7)

A

B

C

D

E

F

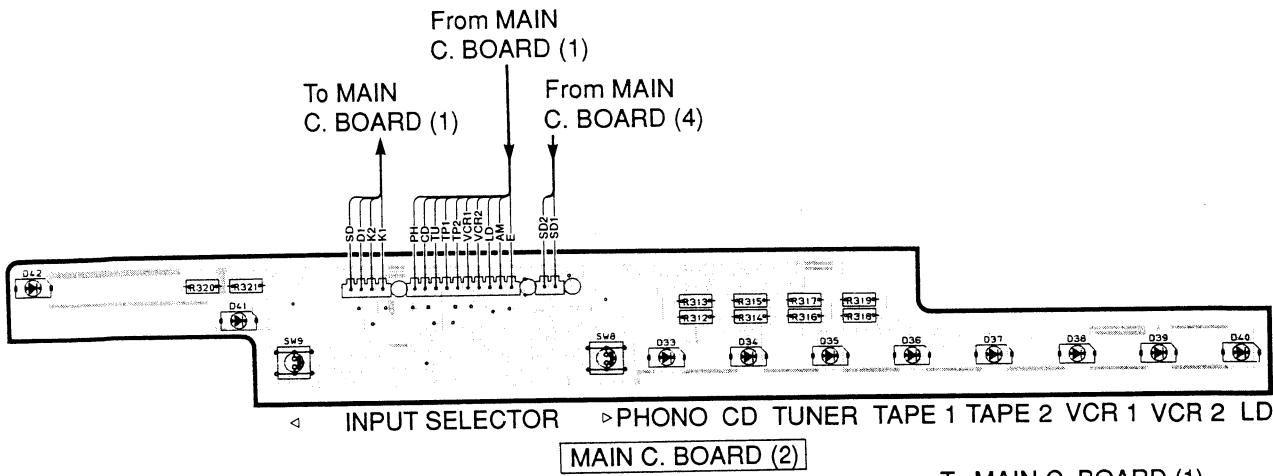
G

H

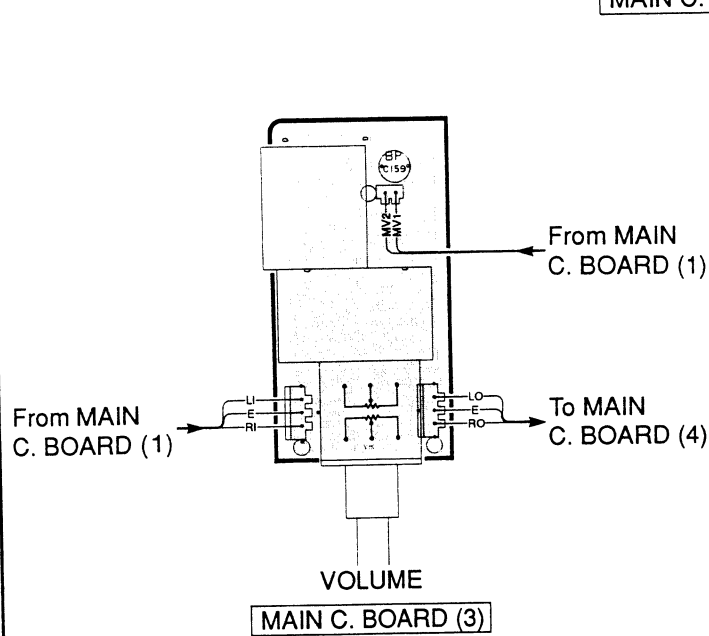
PRINTED CIRCUIT BOARD (Pattern side)

Notes) 文字面 : Component side

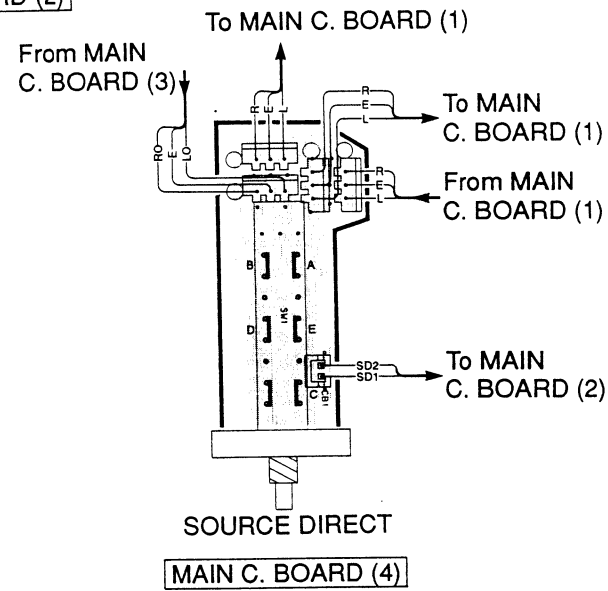
1



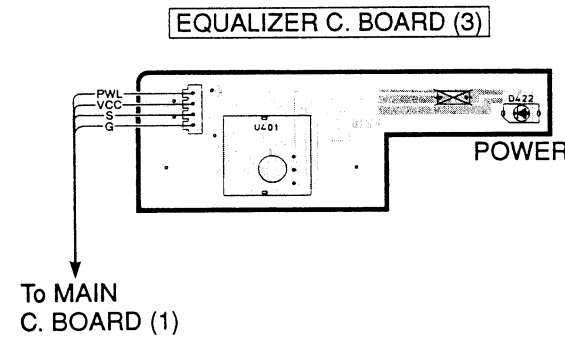
2



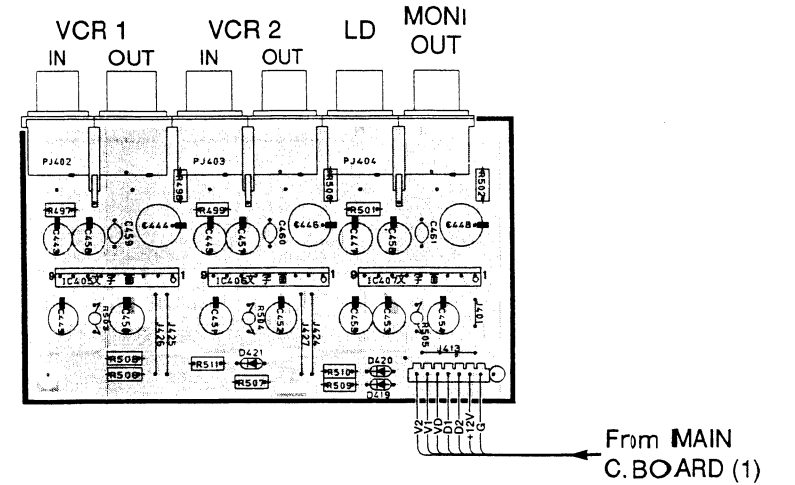
3



4

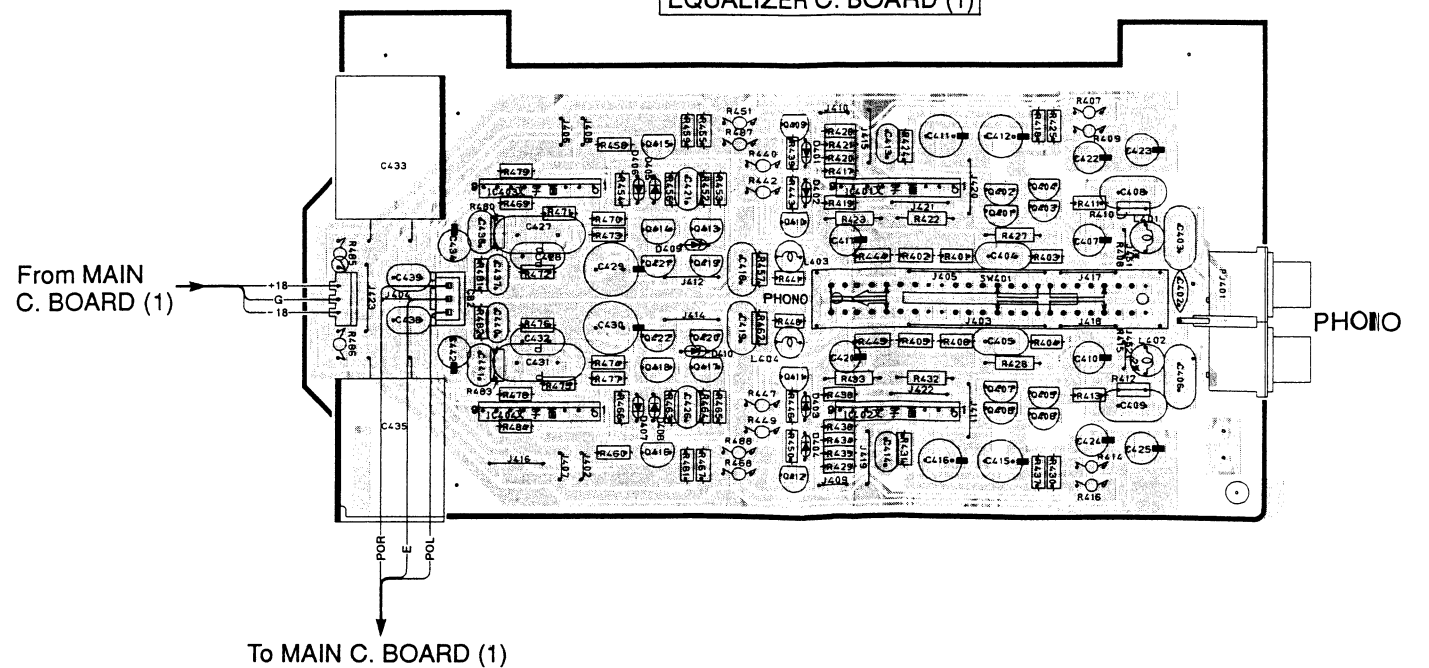


EQUALIZER C. BOARD (2)



EQUALIZER C. BOARD (1)

5



A

B

C

D

E

F

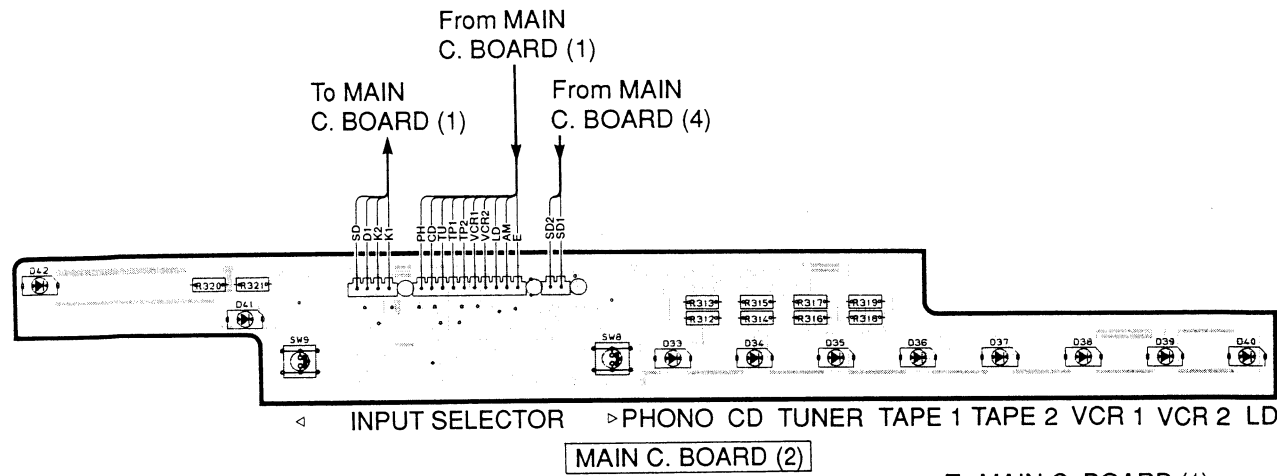
G

H

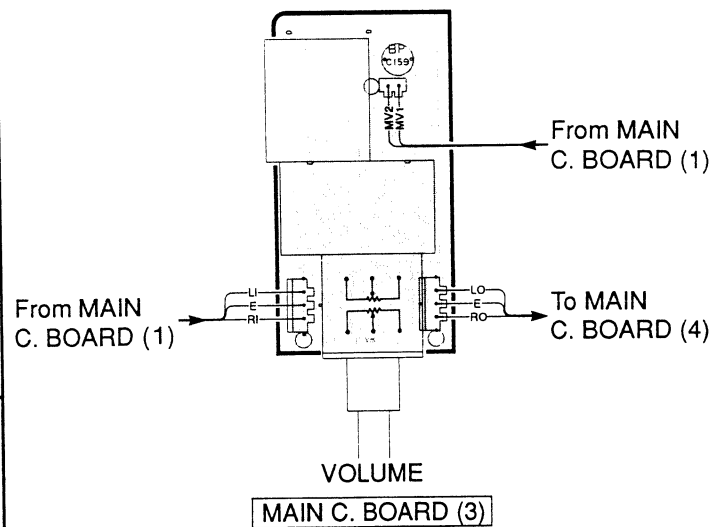
PRINTED CIRCUIT BOARD (Pattern side)

Notes) 文字面 : Component side

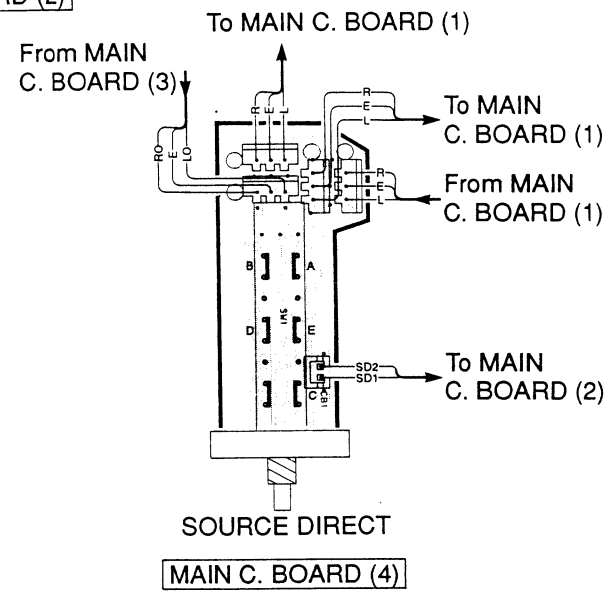
1



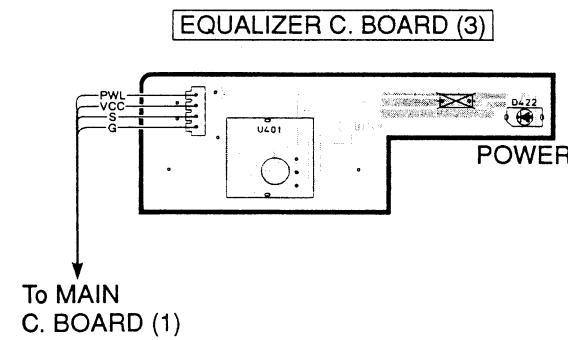
2



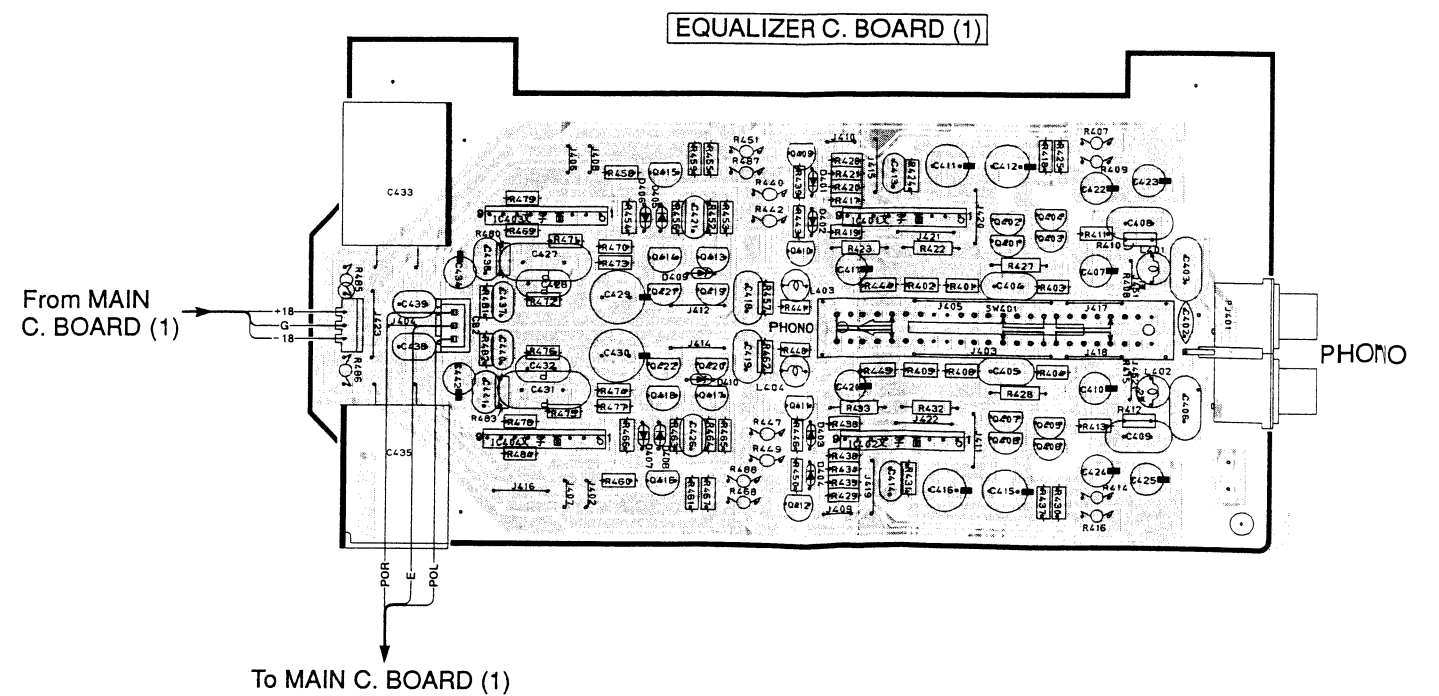
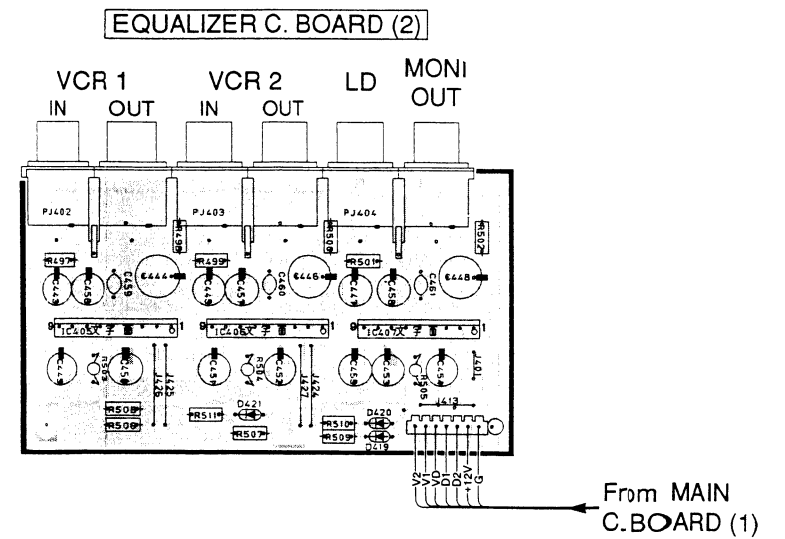
3



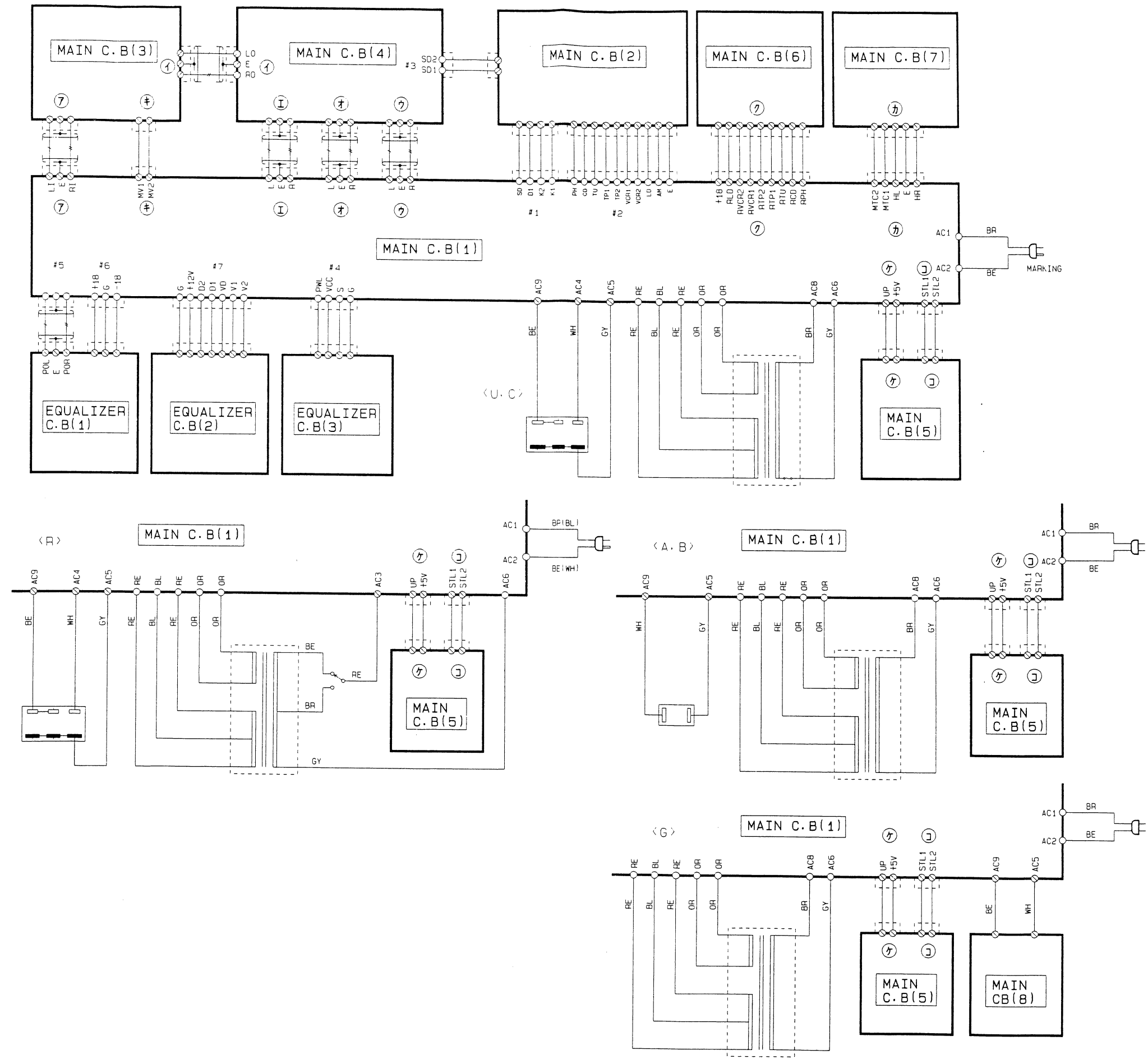
4



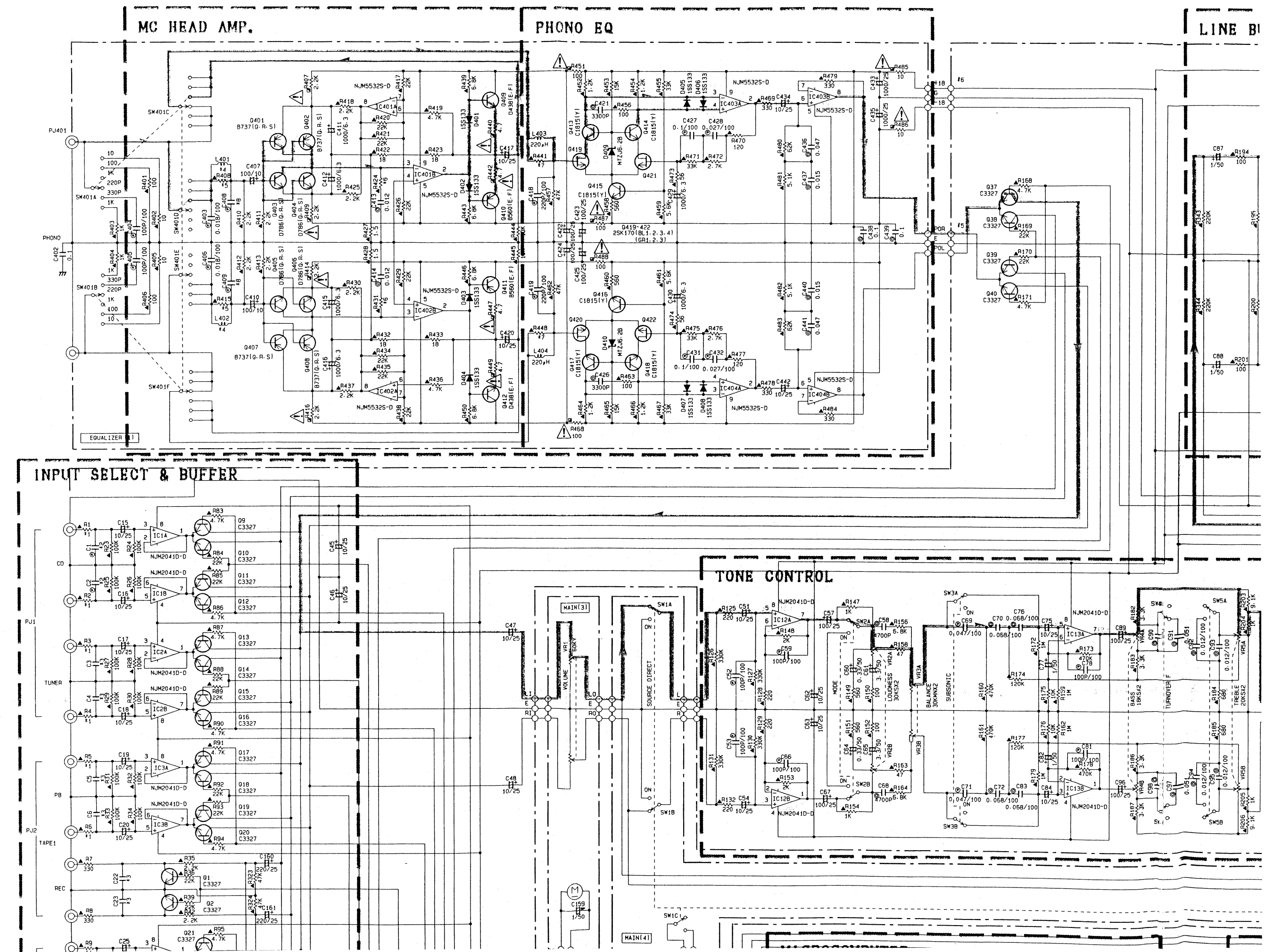
5



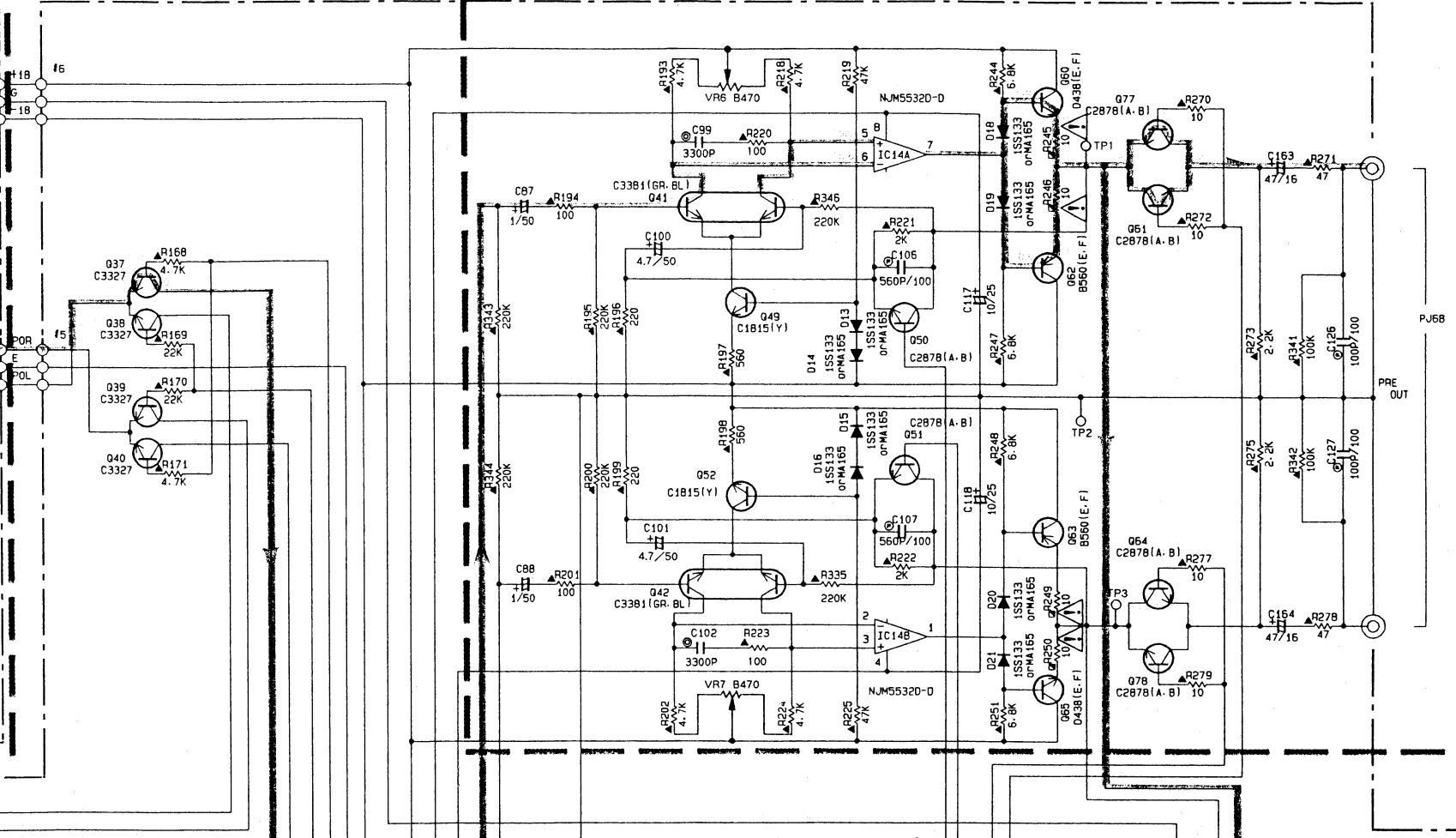
■ WIRING



SCHEMATIC DIAGRAM



LINE BUFFER AMP.



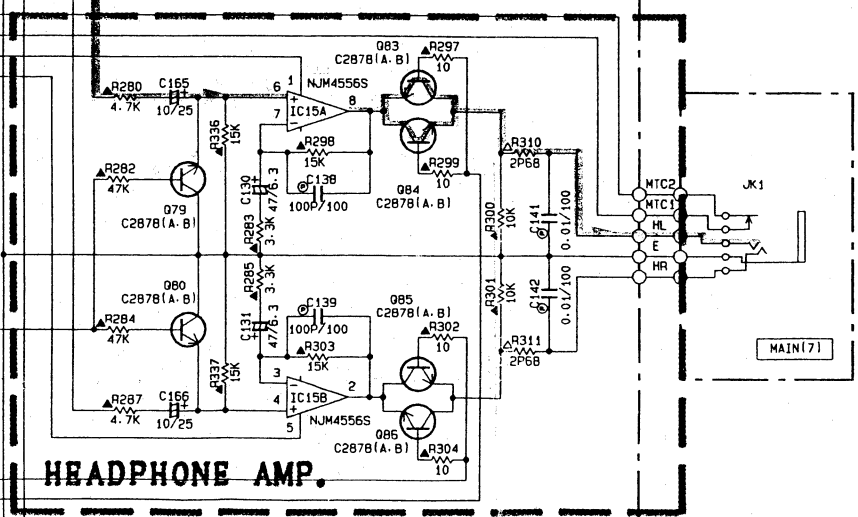
	U.C.R.A.B	G
*1	R1-6, 9-10, 13-14, 17-18, 21-22	100 220
*2	C1-2	OPEN 220P/100
*3	C3-14, 22-23, 28, 29, 34, 35, 40, 41	OPEN 220P
*4	L401, 402	OPEN 15μH
*5	R408, 415	SHORT 47
*6	R424, 431	22 56
*7	R441, 448	220 1.5K
*8	C408, 409	0.01/100 4700P/100

EQUALIZER		MAIN	
LAST NO.	UN LISTED NO.	LAST NO.	UN LISTED NO.
C	461	C	168
R	511	R	348
Q	422	Q	94
D	422	D	51
IC	407	IC	15

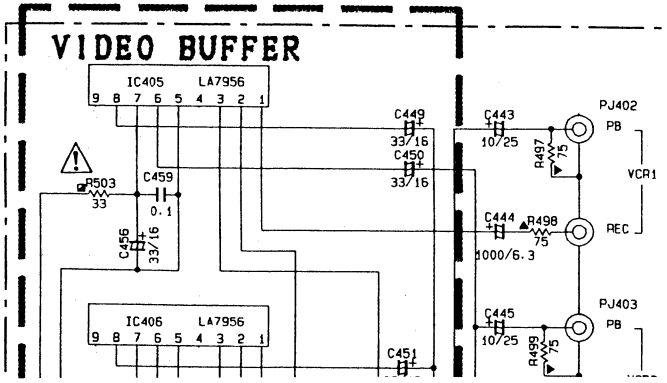
REMARKS	PARTS NAME	
NO MARK	ELECTROLYTIC CAPACITOR	≡
⊗	TANTALUM CAPACITOR	
NO MARK	CERAMIC CAPACITOR	
⊙	POLYESTER FILM CAPACITOR	
○	POLYSTYRENE FILM CAPACITOR	
⊖	MICA CAPACITOR	
⊕	POLYPROPYLENE FILM CAPACITOR	
●	SEMICONDUCTIVE CERAMIC CAPACITOR	

REMARKS	PARTS NAME
NO MARK	CARBON FILM RESISTOR (1/6W)
⊠	CARBON FILM RESISTOR (1/4W)
⊡	METAL OXIDE FILM RESISTOR
△	METAL FILM RESISTOR
⊞	METAL PLATE RESISTOR
⊚	FIRE PROOF CARBON FILM RESISTOR
⊞	CEMENT MOLDED RESISTOR
⊚	SEMI VARIABLE RESISTOR
■	CHIP RESISTOR

NOTICE
 (J)..... Japanese model
 (U)..... U.S.A model
 (C)..... Canadian model
 (A)..... Australian model
 (G)..... European model
 (B)..... British model
 (R)..... General model
 (P)..... RP model



HEADPHONE AMP.



VIDEO BUFFER

- NJM2041D-D
NJM5532D-D
- LB1294
- BA6229
- NJM4556S
- LC6512A-4345
- 2SA1015(Y)
2SB560(E, F)
2SC2878(A, B)
2SC1815(Y)
2SD438(E, F)
2SC3381(GR, BL)
2SC2240(GR, BL)
2SC3327
- 2SB949
2SD1275
- 2SD1913(R, S)
- 1SS133
1SR139-100T62
MA165
MTZJ5.6A
MT7.16 2C

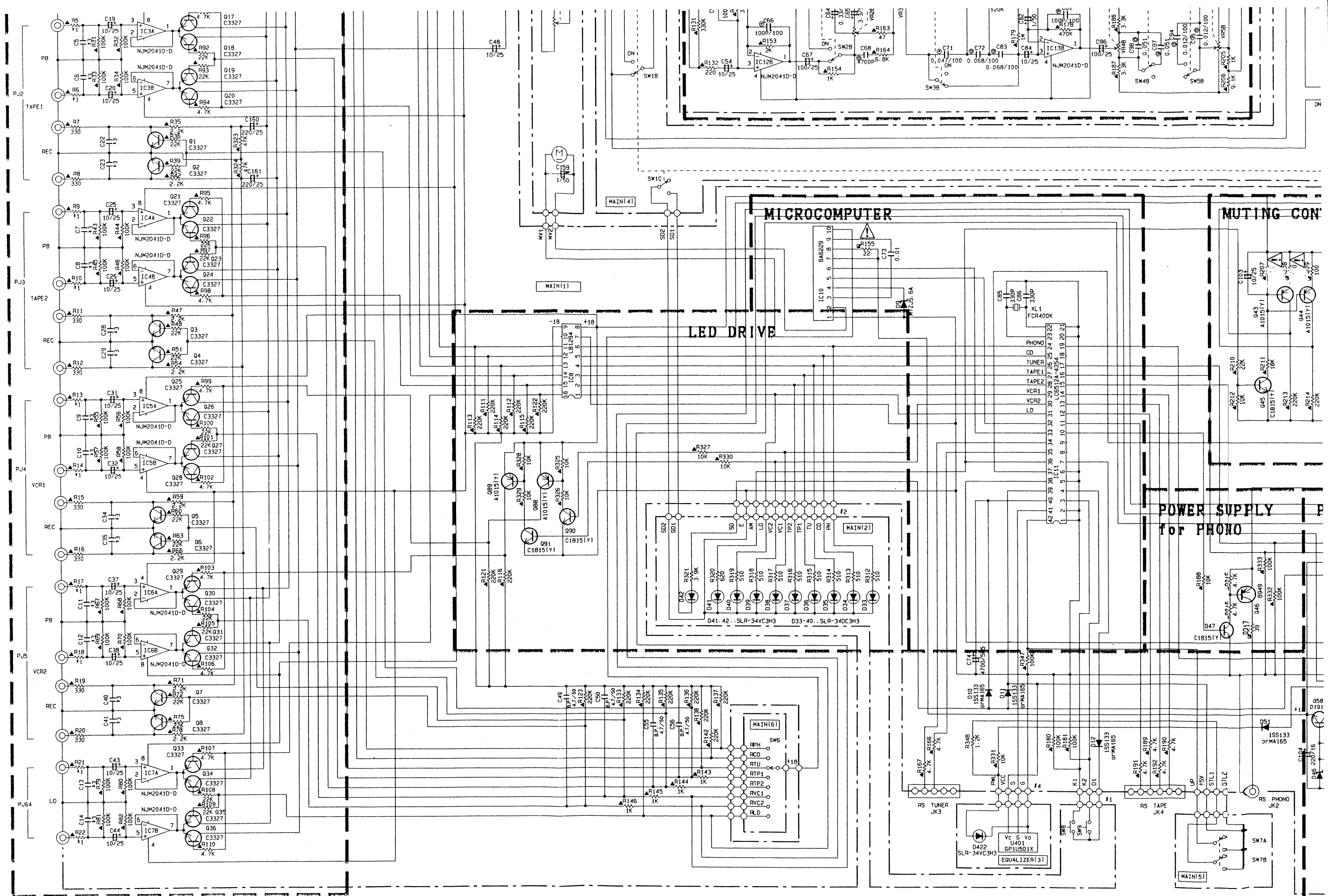
6

7

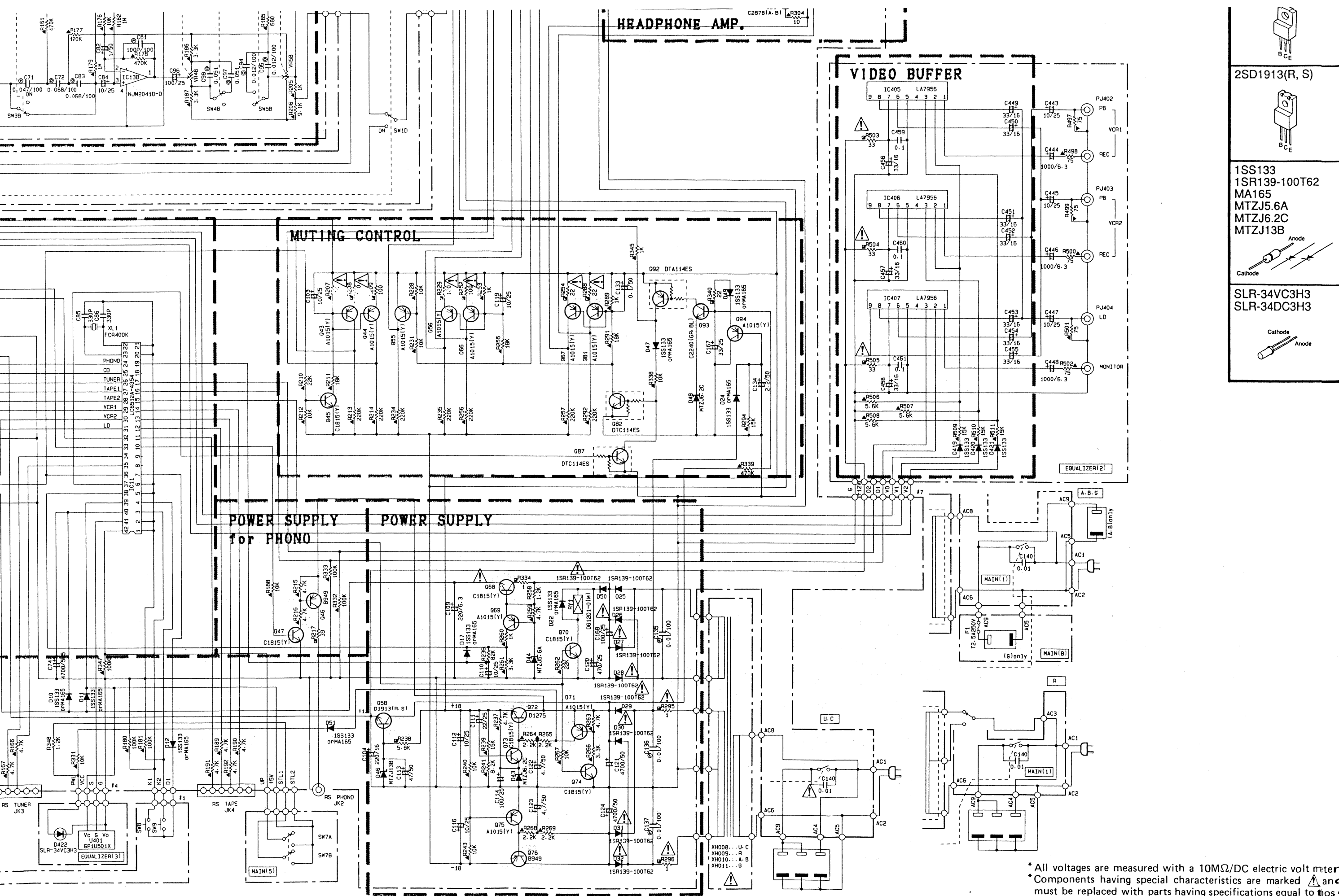
8

9

10



12



2SD1913(R, S)


1SS133
1SR139-100T62
MA165
MTZJ5.6A
MTZJ6.2C
MTZJ13B

SLR-34VC3H3
SLR-34DC3H3


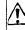
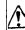
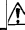
* All voltages are measured with a 10MΩ/DC electric volt meter.
 * Components having special characteristics are marked Δ and must be replaced with parts having specifications equal to those originally installed.
 * Schematic diagram is subject to change without notice.

PARTS LIST

■ WARNING

Components having special characteristics are marked  and must be replaced with parts having specifications equal to those originally installed.
 ● Carbon resistors 1/4 W are not included in the ELECTRICAL PARTS list. For the parts No. of the carbon resistor, refer to P.27.

■ ELECTRICAL PARTS

Ref. No.	PART NO.	Description	部 品 名	Remarks	Markets	ランク
	Vi594700	EQUALIZER CIRCUIT BOARD	イコライザーシート		U, C, R, A, B	
	Vi594800	EQUALIZER CIRCUIT BOARD	イコライザーシート		G	
	FA153330	MYLAR FILM CAP	3300pF 50V	マイラーコン	C421, 426	
	FA154120	MYLAR FILM CAP	0.012uF 50V	マイラーコン	C413, 414	
	FA154150	MYLAR FILM CAP	0.015uF 50V	マイラーコン	C437, 440	
	FA154470	MYLAR FILM CAP	0.047uF 50V	マイラーコン	C436, 441	
	FA155100	MYLAR FILM CAP	0.1uF 50V	マイラーコン	C438, 439	
	UT452100	POLYPROPYLENE FILM CAP	100pF 100V	PPコン	C404, 405	
	UT452220	POLYPROPYLENE FILM CAP	220pF 100V	PPコン	C418, 419	
	UT453470	POLYPROPYLENE FILM CAP	4700pF 100V	PPコン	C408, 409	G
	UT454100	POLYPROPYLENE FILM CAP	0.01uF 100V	PPコン	C408, 409	U, C, R, A, B
	UT654180	POLYPROPYLENE FILM CAP	0.018uF 100V	PPコン	C403, 406	
	UT454270	POLYPROPYLENE FILM CAP	0.027uF 100V	PPコン	C428, 432	
	UT655100	POLYPROPYLENE FILM CAP	0.1uF 100V	PPコン	C427, 431	
	VF611200	MULTILAYER CERAMIC CAP	0.1uF 50V	積層セラコン	C402, 459-461	
	VG286600	ELECTROLYTIC CAP	1000uF 6.3V	ケミコン	C411, 412, 415, 416, 420, 430, 444, 446, 448	
	VG286800	ELECTROLYTIC CAP	100uF 10V	ケミコン	C407, 410	
	VG287400	ELECTROLYTIC CAP	33uF 16V	ケミコン	C449-458	
	VG288500	ELECTROLYTIC CAP	10uF 25V	ケミコン	C417, 420, 434, 442, 443, 445, 447	
	VG288900	ELECTROLYTIC CAP	100uF 25V	ケミコン	C422-425	
	VC780700	ELECTROLYTIC CAP	1000uF 25V	ケミコン	C433, 435	
	VB056900	COIL	ELF0505RA 220uH	コイル	L403, 404	
	VF541100	COIL	ELF0505RA 15uH	コイル	L401, 402	G
	HV453470	FLAME PROOF CARBON RESISTOR	4.7Ω 1/4W	不燃化カーボン抵抗	R440, 442, 447, 449	
	HV454100	FLAME PROOF CARBON RESISTOR	10Ω 1/4W	不燃化カーボン抵抗	R485, 486	
	HV454330	FLAME PROOF CARBON RESISTOR	33Ω 1/4W	不燃化カーボン抵抗	R503-505	
	HV455100	FLAME PROOF CARBON RESISTOR	100Ω 1/4W	不燃化カーボン抵抗	R451, 468, 487, 488	
	HV456220	FLAME PROOF CARBON RESISTOR	2.2KΩ 1/4W	不燃化カーボン抵抗	R407, 409, 414, 416	
	HU574100	METAL FILM RESISTOR	10Ω 1/4W	金属皮膜抵抗	R402, 405	
	HU594220	METAL FILM RESISTOR	22Ω 1/4W	金属皮膜抵抗	R424, 431	U, C, R, A, B
	HU574560	METAL FILM RESISTOR	56Ω 1/4W	金属皮膜抵抗	R424, 431	G
	HU574470	METAL FILM RESISTOR	47Ω 1/4W	金属皮膜抵抗	R408, 415	G
	HU574560	METAL FILM RESISTOR	56Ω 1/4W	金属皮膜抵抗	R473, 474	
	HU594750	METAL FILM RESISTOR	75Ω 1/4W	金属皮膜抵抗	R497-502	
	HU575100	METAL FILM RESISTOR	100Ω 1/4W	金属皮膜抵抗	R401, 406, 456, 463	
	HU575120	METAL FILM RESISTOR	120Ω 1/4W	金属皮膜抵抗	R470, 477	
	HU575220	METAL FILM RESISTOR	220Ω 1/4W	金属皮膜抵抗	R441, 448	U, C, R, A, B
	HU576150	METAL FILM RESISTOR	1.5KΩ 1/4W	金属皮膜抵抗	R441, 448	G
	HU575330	METAL FILM RESISTOR	330Ω 1/4W	金属皮膜抵抗	R469, 478, 479, 484	
	HU575560	METAL FILM RESISTOR	560Ω 1/4W	金属皮膜抵抗	R458, 460	
	HU576100	METAL FILM RESISTOR	1KΩ 1/4W	金属皮膜抵抗	R403, 404	
	HU576120	METAL FILM RESISTOR	1.2KΩ 1/4W	金属皮膜抵抗	R452, 454, 464, 466	
	HU576220	METAL FILM RESISTOR	2.2KΩ 1/4W	金属皮膜抵抗	R410-413, 418, 425, 430, 437	
	HU576270	METAL FILM RESISTOR	2.7KΩ 1/4W	金属皮膜抵抗	R472, 476	
	HU576470	METAL FILM RESISTOR	4.7KΩ 1/4W	金属皮膜抵抗	R419, 436	
	HU576510	METAL FILM RESISTOR	5.1KΩ 1/4W	金属皮膜抵抗	R481, 482	
	HU576560	METAL FILM RESISTOR	5.6KΩ 1/4W	金属皮膜抵抗	R459, 461, 501-508	

*New Parts (新規部品)

ランク : Japan only

CX-830

Ref. NO.	PART NO.	Description			部 品 名	Remarks	Markets	リンク
	HU576680	METAL FILM RESISTOR	0.8KΩ	1/4W	金属皮膜抵抗	R439,443,446,450		
	HU577100	METAL FILM RESISTOR	10KΩ	1/4W	金属皮膜抵抗	R444,445		
	HU577150	METAL FILM RESISTOR	15KΩ	1/4W	金属皮膜抵抗	R453,465,509-511		
	HU577220	METAL FILM RESISTOR	22KΩ	1/4W	金属皮膜抵抗	R417,420,421,426,429,434,435,438		
	HU577330	METAL FILM RESISTOR	33KΩ	1/4W	金属皮膜抵抗	R455,467,471,475		
	HU577470	METAL FILM RESISTOR	47KΩ	1/4W	金属皮膜抵抗	R457,462		
	HU577620	METAL FILM RESISTOR	62KΩ	1/4W	金属皮膜抵抗	R480,483		
	HU573150	METAL FILM RESISTOR	1.5Ω	1/4W	金属被膜抵抗	R427,428		
	HU574180	METAL FILM RESISTOR	18Ω	1/4W	金属被膜抵抗	R422,423,432,433		
	XC632A00	IC	NJM5532SD		I C	IC401-404		
	XH436A00	IC	LA7956		I C	IC405-407		
	VF926500	LIGHT DETECTING MODULE	GP1U501X		リモコン受光ユニット	U401		
	KA902890	ROTARY SWITCH	SSR26602D		ロータリーSW	SW401		
	VE384500	PIN JACK	T6180-A		ピンジャック	PJ401		
	VG217400	PIN JACK	T6180-CAAF		ピンジャック	PJ402-404		
	iB056020	TRANSISTOR	2SB560		トランジスタ	Q410,411		
	iC181521	TRANSISTOR	2SC1815 Y		トランジスタ	Q413-418		
	iD043810	TRANSISTOR	2SD438		トランジスタ	Q409,412		
	iB073700	TRANSISTOR	2SB737 Q,R,S		トランジスタ	Q401,402,407,408		
	iD078600	TRANSISTOR	2SD786 Q,R,S		トランジスタ	Q403-406		
	iE102480	FET	2SK170 GR,BL		F E T	Q419-422		
	LB918030	BASE PIN	3P		ベースツキポスト	CB2		
	iF004600	DIODE	1SS133 T-77		ダイオード	D401-408,419-421		
	VG438000	ZENER DIODE	MTZJ6.2B 6.2V		ツェナーダイオード	D409,410		
	Vi013600	LED	SLR-34VC3H3		L E D	D422		
	Vi594300	MAIN CIRCUIT BOARD			メインシート		U,C	
	Vi594400	MAIN CIRCUIT BOARD			メインシート		R	
	Vi594500	MAIN CIRCUIT BOARD			メインシート		A,B	
	Vi594600	MAIN CIRCUIT BOARD			メインシート		G	
	FA153330	MYLAR FILM CAP	3300pF	50V	マイラーコン	C99,102		
	FA153470	MYLAR FILM CAP	4700pF	50V	マイラーコン	C58,68		
	UA654510	MYLAR FILM CAP	0.051uF	50V	マイラーコン	C90,91,97,98		
	Vi503300	MYLAR FILM CAP	0.012uF	100V	マイラーコン	C92-95		
	Vi504200	MYLAR FILM CAP	0.068uF	100V	マイラーコン	C70,72,76,83		
	UT452100	POLYPROPYLENE FILM CAP	100pF	100V	PPコン	C52,53,59,66,78,81,126,127,138,139		
	UT452220	POLYPROPYLENE FILM CAP	220pF	100V	PPコン	C1,2	G	
	UT452560	POLYPROPYLENE FILM CAP	560pF	100V	PPコン	C106,107		
	UT454100	POLYPROPYLENE FILM CAP	0.01uF	100V	PPコン	C135-137,141,142		
	UT454470	POLYPROPYLENE FILM CAP	0.047uF	100V	PPコン	C69,71		
	FG212220	CERAMIC CAP	220pF	50V	セラコン	C3-14,22,23,28,29,34,35,40,41	G	
	FG212330	CERAMIC CAP	330pF	50V	セラコン	C85,86		
	FG244100	CERAMIC CAP	0.01uF	50V	セラコン	C73		
	Fi514100	CERAMIC CAP	0.01uF	VA-1	スパークキラーコン	C140		
	UH117470	ELECTROLYTIC CAP	47uF	6.3V	ケミコン	C130,131		
	VG286300	ELECTROLYTIC CAP	220uF	6.3V	ケミコン	C109		

※New Parts (新規部品)

リンク : Japan Only

PART NO.	Description			部 品 名	Remarks	Markets	ランク
VG287500	ELECTROLYTIC CAP	47uF	16V	ケミコン	C163,164		
VG288500	ELECTROLYTIC CAP	10uF	25V	ケミコン	C15-20,25,26,31,32,37, 38,43-48,51,54,62,63, 75,84,103,112,116-119, 165,166		
VG288600	ELECTROLYTIC CAP	22uF	25V	ケミコン	C111		
VG288700	ELECTROLYTIC CAP	33uF	25V	ケミコン	C167		
VG288900	ELECTROLYTIC CAP	100uF	25V	ケミコン	C57,67,89,96,114,168		
VG289000	ELECTROLYTIC CAP	220uF	25V	ケミコン	C160,161		
VG290000	ELECTROLYTIC CAP	0.1uF	50V	ケミコン	C133		
VG290200	ELECTROLYTIC CAP	0.33uF	50V	ケミコン	C60,64		
VG290500	ELECTROLYTIC CAP	1uF	50V	ケミコン	C77,82,87,88,110		
VG290700	ELECTROLYTIC CAP	3.3uF	50V	ケミコン	C81,65		
VG290600	ELECTROLYTIC CAP	2.2uF	50V	ケミコン	C134		
VG290800	ELECTROLYTIC CAP	4.7uF	50V	ケミコン	C100,101,122,123		
VE990600	ELECTROLYTIC CAP	220uF	16V	ケミコン	C104		
VJ016500	ELECTROLYTIC CAP	47uF	50V	ケミコン	C113		
VF248400	ELECTROLYTIC CAP	470uF	25V	ケミコン	C120		
VG892500	ELECTROLYTIC CAP	4700uF	50V	ケミコン	C121,124		
UK166100	ELECTROLYTIC CAP	1uF	50V	B Pケミコン	C159		
UK166470	ELECTROLYTIC CAP	4.7uF	50V	ケミコン	C49,50,55,56		
VB170100	ELECTROLYTIC CAP	4.7mF	5.5V	バックアップケミコン	C74		
HV453100	FLAME PROOF CARBON RESISTOR	1Ω	1/4W	不燃化カーボン抵抗	R295,296,334		⚠
HV454100	FLAME PROOF CARBON RESISTOR	10Ω	1/4W	不燃化カーボン抵抗	R245,246,249,250		⚠
HV454220	FLAME PROOF CARBON RESISTOR	22Ω	1/4W	不燃化カーボン抵抗	R155,254,288,340		⚠
HV454390	FLAME PROOF CARBON RESISTOR	39Ω	1/4W	不燃化カーボン抵抗	R217		⚠
HV455100	FLAME PROOF CARBON RESISTOR	100Ω	1/4W	不燃化カーボン抵抗	R208,209,229,252		
HV456560	FLAME PROOF CARBON RESISTOR	5.6KΩ	1/4W	不燃化カーボン抵抗	R238		
HU574100	METAL FILM RESISTOR	10Ω	1/4W	金属皮膜抵抗	R270,272,277,279,297, 299,302,304		
HU574470	METAL FILM RESISTOR	47Ω	1/4W	金属皮膜抵抗	R158,163,271,278		
HU575100	METAL FILM RESISTOR	100Ω	1/4W	金属皮膜抵抗	R1-6,9,10,13,14,17,18, 21,22	U, C, R, A, B	
HU575220	METAL FILM RESISTOR	220Ω	1/4W	金属皮膜抵抗	R1-6,9,10,13,14,17,18, 21,22	G	
HU575100	METAL FILM RESISTOR	100Ω	1/4W	金属皮膜抵抗	R150,152,194,201,220, 223		
HU575220	METAL FILM RESISTOR	220Ω	1/4W	金属皮膜抵抗	R125,128,129,132,196, 199		
HU575330	METAL FILM RESISTOR	330Ω	1/4W	金属皮膜抵抗	R7,8,11,12,15,16,19,20		
HU575560	METAL FILM RESISTOR	560Ω	1/4W	金属皮膜抵抗	R149,151,197,198		
HU575680	METAL FILM RESISTOR	680Ω	1/4W	金属皮膜抵抗	R184,185		
HU576100	METAL FILM RESISTOR	1KΩ	1/4W	金属皮膜抵抗	R143-147,154,204,205, 207,253,260,289,345		
HU576200	METAL FILM RESISTOR	2KΩ	1/4W	金属皮膜抵抗	R148,153,221,222		
HU576220	METAL FILM RESISTOR	2.2KΩ	1/4W	金属皮膜抵抗	R35,42,47,54,59,66,71, 78,264,265,268,269, 273,275		
HU576330	METAL FILM RESISTOR	3.3KΩ	1/4W	金属皮膜抵抗	R182,183,186,187,261, 266,283,285		

*New Parts (新規部品)

ランク : Japan Only

Ref. NO.	PART NO.	Description			部 品 名	Remarks	Markets	ランク
	HU576470	METAL FILM RESISTOR	4.7KΩ	1/4W	金属皮膜抵抗	R83,86,87,90,91,94,95,98,99,102,103,106,107,110,259,166-168,171,189-193,202,215,216,218,224,237,263,280.		
	HU576680	METAL FILM RESISTOR	6.8KΩ	1/4W	金属皮膜抵抗	287		
	HU576820	METAL FILM RESISTOR	8.2KΩ	1/4W	金属皮膜抵抗	R156,164,244,247,248,251		
	HU576910	METAL FILM RESISTOR	9.1KΩ	1/4W	金属皮膜抵抗	R241		
	HU577100	METAL FILM RESISTOR	10KΩ	1/4W	金属皮膜抵抗	R203,206		
	HU577150	METAL FILM RESISTOR	15KΩ	1/4W	金属皮膜抵抗	R175,176,188,212,228,231,240,243,267,300,301,325-331,338		
	HU577180	METAL FILM RESISTOR	18KΩ	1/4W	金属皮膜抵抗	R239,294,298,303,336,337		
	HU577220	METAL FILM RESISTOR	22KΩ	1/4W	金属皮膜抵抗	R211,255,291		
	HU577470	METAL FILM RESISTOR	47KΩ	1/4W	金属皮膜抵抗	R36,39,48,51,60,63,72,75,84,85,88,89,92,93,96,97,100,101,104,105,108,109,169,170,210.		
	HU577820	METAL FILM RESISTOR	82KΩ	1/4W	金属皮膜抵抗	262		
	HU578100	METAL FILM RESISTOR	100KΩ	1/4W	金属皮膜抵抗	R219,225,282,284,323,324		
	HU578120	METAL FILM RESISTOR	120KΩ	1/4W	金属皮膜抵抗	R236		
	HU598220	METAL FILM RESISTOR	220KΩ	1/4W	金属皮膜抵抗	R23-34,43-46,55-58,67-70,79-82,180,181,332,333,341,342,347		
	HU578120	METAL FILM RESISTOR	120KΩ	1/4W	金属皮膜抵抗	R174,177		
	HU598220	METAL FILM RESISTOR	220KΩ	1/4W	金属皮膜抵抗	R111-116,133-138,142,213,214,234,235,256,257,292,121-123,195,200,335,343,344,346		
	Vi515500	METAL FILM RESISTOR	330KΩ	1/4W	金属皮膜抵抗	R126,127,130,131		
	HU578470	METAL FILM RESISTOR	470KΩ	1/4W	金属皮膜抵抗	R160,161,173,178,339		
	HU579100	METAL FILM RESISTOR	1MΩ	1/4W	金属皮膜抵抗	R159,162,172,179		
	HL324680	METAL OXIDE RESISTOR	68Ω	2W	酸化金属被膜抵抗	R310,311		
	iG069200	IC	NJM2041D-D		IC	IC1-7,12,13		
	iG152500	IC	BA6229		IC	IC10		
	XAG73A00	IC	NJM5532D-D		IC	IC14		
	iG077400	IC	NJM4556S		IC	IC15		
	XA549001	IC	LB1294		IC	IC8		
	XG990B00	IC	LC6512A-4345		IC	IC11		
	VG707400	PUSH SWITCH			ブッシュ SW	SW7		
	Vi623700	ROTARY SWITCH			ロータリー SW	SW6		
	VE327300	PUSH SWITCH			ブッシュ SW	SW8,9		
	VJ004000	PUSH SWITCH	SPUN12		ブッシュ SW	SW1		
	VF337700	PUSH SWITCH	SPUL19		ブッシュ SW	SW2-5		
	VD506000	RELAY	AC DG12D1-0(M)		リレー	RY1		
	KB002980	FUSE	2.5A		ヒューズ	F1		
	LA002580	LAPPING TERMINAL	2P		ラッピング端子	TE3	G	

*New Parts (新規部品)

ランク : Japan only

Ref. NO.	PART NO.	Description	部 品 名	Remarks	Markets	ランク
※	LA002040	LAPPING TERMINAL	5P	ラッピング端子	TE1	
	LA003870	LAPPING TERMINAL	2P	ラッピング端子	TE2	
	LB401290	PIN JACK	T5857-A	ピンコネクタ	PJ1,2-6	
	Vi435500	MINI JACK		ミニジャック	JK2	
	Vi783700	PHONES JACK	M1659-ARAA	ヘッドホーンジャック	JK1	
※	LB500710	SOCKET	5P	STコネクタソケット	JK3	
	LB608390	SOCKET	6P	STコネクタソケット	JK4	
	VD004500	BASE PIN	2P	ベースピン	CB1	
	VD004700	BASE PIN	4P	ベースピン	CB3,5	
	VD005000	BASE PIN	7P	ベースピン	CB2	
※	VD005300	BASE PIN	10P	ベースピン	CB4	
	LB918030	BASE PIN	3P	ベースツキポスト	CB6	
	GG000700	CERAMIC RESONATOR	400K	セラミック振動子	XL1	
	VR861000	PRE-SET POTENTIOMETER	B470Ω	半固定抵抗	VR6,7	
	VA984800	POTENTIOMETER	20KΩ	二連ロータリーVR	VR5	
※	VE854600	POTENTIOMETER	MN30KΩ	二連ロータリーVR	VR3	
	VF338000	POTENTIOMETER	18KΩ	二連ロータリーVR	VR4	
	VF909000	POTENTIOMETER	30KΩ	二連ロータリーVR	VR2	
	Vi619200	POTENTIOMETER WITH MOTOR	60KΩ	モーター付VR	VR1	
	iA101521	TRANSISTOR	2SA1015 Y	トランジスタ	Q43,44,55,56,66,67,69,	
※	iB056020	TRANSISTOR	2SB560	トランジスタ	71,75,81,88,89,94	
	iC1815C0	TRANSISTOR	2SC1815 Y	トランジスタ	Q62,63	▲
	iC224000	TRANSISTOR	2SC2240 GR,BL	トランジスタ	Q45,47,49,52,68,70,73, 74,90,91	
※	iC332700	TRANSISTOR	2SC3327	トランジスタ	Q1-40	
	iC287820	TRANSISTOR	2SC2878 A,B	トランジスタ	Q50,51,61,64,77-80, 83-86	
	iD043810	TRANSISTOR	2SD438	トランジスタ	Q60,65	
	iD127510	TRANSISTOR	2SD1275 P,Q,R	トランジスタ	Q72	
※	iB094910	TRANSISTOR	2SB049 P,Q,R	トランジスタ	Q46,76	
	VC407900	TRANSISTOR	2SD1913 R,S	トランジスタ	Q58	
	iC338100	TRANSISTOR	2SC3381 GR,BL	トランジスタ	Q41,42	
	VD678500	DIGITAL TRANSISTOR	DTA114ES	デジタルトランジスタ	Q92	
	VD678700	DIGITAL TRANSISTOR	DTC114ES	デジタルトランジスタ	Q82,87	
※	iF004600	DIODE	1SS133 T-77	ダイオード	D10-22,24,47,49,51	
	VH801600	DIODE	1SR139-100	ダイオード	D25-32,50	▲
	VG437600	ZENER DIODE	WTZJ5.6A 5.6V	ツェナーダイオード	D9,44	
	VG438100	ZENER DIODE	WTZJ6.2C 6.2V	ツェナーダイオード	D43,48	
※	VG440500	ZENER DIODE	WTZJ13B 13V	ツェナーダイオード	D46	
	Vi013600	LED	SLR-34VC3H3	LED	D41,42	
※	VF402500	LED	SLR-34DC3H3	LED	D33-40	
	LB201060	FUSE HOLDER PIN		ヒューズホルダピン		G
	VE990300	HEAT SINK		ヒートシンク		
	ED330066	BINDING HEAD SCREW	3x6 FCM3-BL	バインドヘッド小ネジ		
※	BB069510	GROUND PLATE		ランド金具		

※ New Parts (新規部品)

ランク : Japan only

CX-830

A

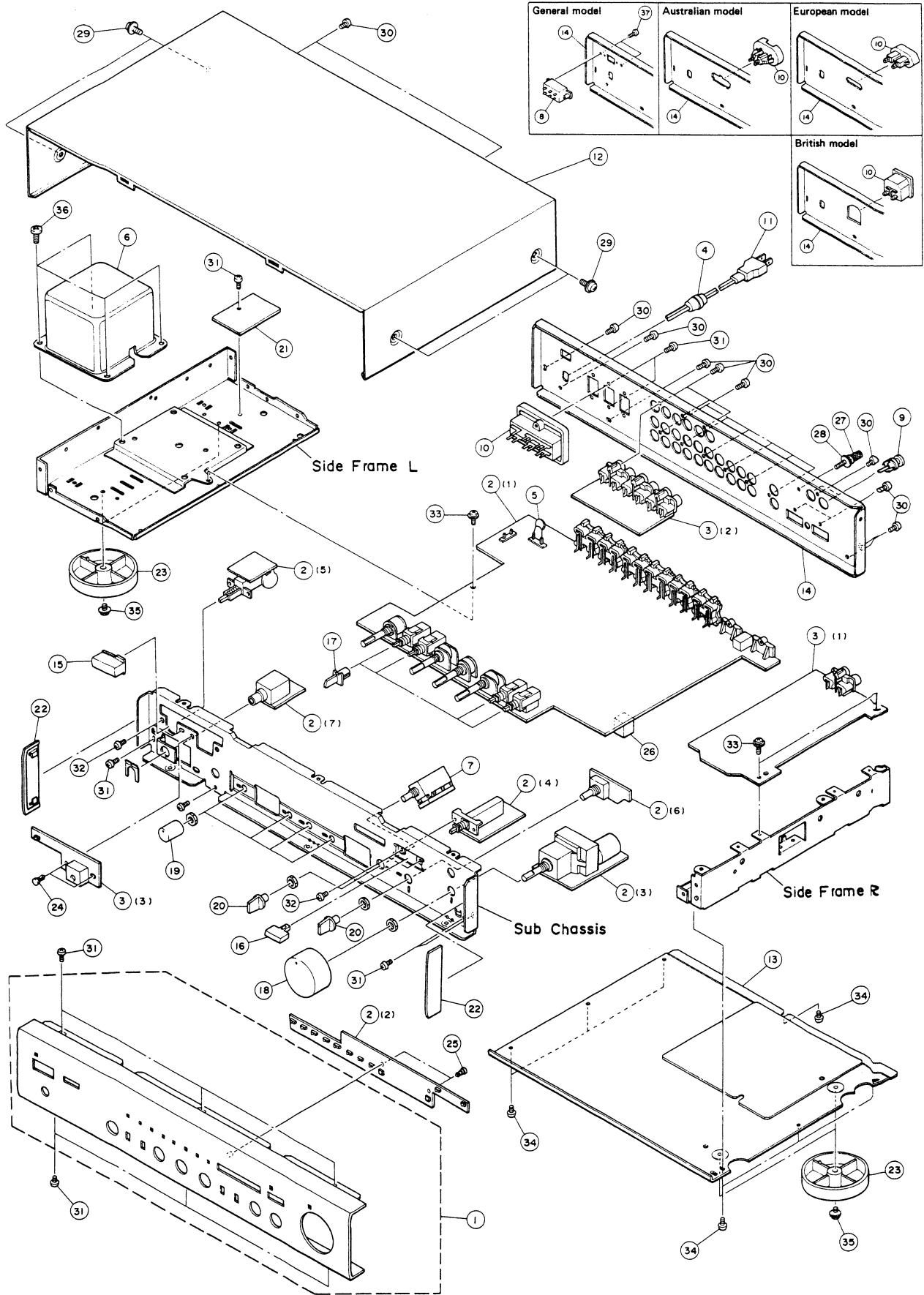
B

C

D

CX-830

EXPLODED VIEW



1

2

3

4

5

MECHANISM PARTS

Ref. NO.	PART NO.	Description	部 品 名	Remarks	Markets	ランク
01	Vi593900	PANEL UNIT	パネルユニット	BL		
01	Vi594100	PANEL UNIT	パネルユニット	T		
02	Vi594300	MAIN CIRCUIT BOARD	メインシート		U,C	
02	Vi594400	MAIN CIRCUIT BOARD	メインシート		R	
02	Vi594500	MAIN CIRCUIT BOARD	メインシート		A,B	
02	Vi594600	MAIN CIRCUIT BOARD	メインシート		G	
03	Vi594700	EQUALIZER CIRCUIT BOARD	イコライザーシート		U,C,R,A,B	
03	Vi594800	EQUALIZER CIRCUIT BOARD	イコライザーシート		G	
04	CB620200	CORD STOPPER	コードストッパー		U,C	
04	CB620190	CORD STOPPER	コードストッパー		R,A,B,G	
05	Fi384100	CERAMIC CAP	規格認定コン		A,B,G	
06	XH008A00	POWER TRANSFORMER	電源トランス		U,C	⚠
06	XH009A00	POWER TRANSFORMER	電源トランス		R	⚠
06	XH010A00	POWER TRANSFORMER	電源トランス		A,B	⚠
06	XH011A00	POWER TRANSFORMER	電源トランス		G	⚠
07	Vi635900	SWITCH OPERATER	リモート操作+ワイヤー			
08	VE962600	SLIDE SWITCH	スライドSW		R	
09	LB100180	SHORT, PLUG	ショートプラグ			
10	LB608130	AC OUTLET	ACアウトレット		U,C,R	
10	VCG26100	AC OUTLET	電源コネクタ		A	
10	VCG27000	AC OUTLET	電源コネクタ		B	
10	Vi783900	AC OUTLET	ACアウトレット		G	
11	HG002220	POWER CORD	電源コード		U,C	
11	HG002310	POWER CORD	電源コード		A	
11	HG002330	POWER CORD	電源コード		B	
11	HG002320	POWER CORD	電源コード		G	
11	VE371000	POWER CORD	電源コード		R	
12	Vi066000	TOP COVER	トップカバー	BL		
12	Vi066100	TOP COVER	トップカバー	T		
13	Vi493900	BOTTOM COVER	ボトムカバー			
14	Vi066400	REAR PANEL	リヤパネル		U,C	
14	Vi066500	REAR PANEL	リヤパネル		R,P	
14	Vi066600	REAR PANEL	リヤパネル		A	
14	Vi066700	REAR PANEL	リヤパネル		B	
14	Vi066800	REAR PANEL	リヤパネル		G	
15	VH841900	BUTTON	ボタン	BL		
15	VH842000	BUTTON	ボタン	T		
16	VH877000	BUTTON	ボタン	BL		
16	VH877100	BUTTON	ボタン	T		
17	Vi210300	BUTTON	ボタン	BL		
17	Vi210200	BUTTON	ボタン	T		
18	Vi065300	KNOB	ノブ	BL		
18	Vi065400	KNOB	ノブ	T		
19	VH889200	KNOB	ノブ	BL		
19	VH889300	KNOB	ノブ	T		
20	Vi251000	KNOB	ノブ	BL		
20	Vi251100	KNOB	ノブ	T		
21	Vi922500	SHEET	シートアイソレーション			
22	Vi068400	SIDE COVER	サイドカバー	BL		
22	Vi068500	SIDE COVER	サイドカバー	T		

*New Parts (新規部品)

ランク : Japan only

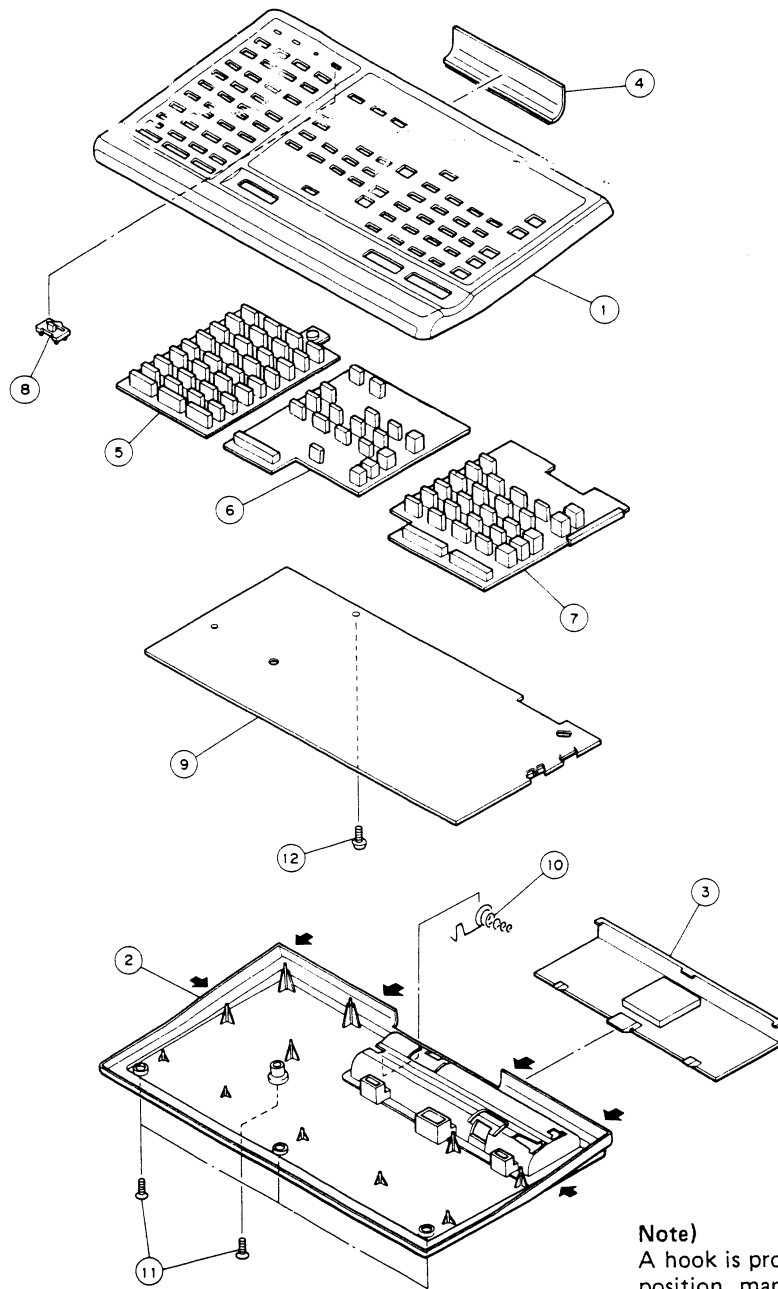
Ref. NO.	PART NO.	Description	部 品 名	Remarks	Markets	ランク
23	VF639400	LEG	レッグ	BL		
23	Vi031600	LEG	レッグ	T		
24	CB605620	PLASTIC RIVET	ブラリベット			
25	CB068880	PLASTIC RIVET	ブラリベット			
26	VF274900	DAMPER	ダンパー			
27	AA627310	GROUND TERMINAL	GNDターミナル			
28	EV265560	PLAIN WASHER	3.6x10x0.8 FNM3-3G 平座金みがき丸			
29	EX601080	CUP SCREW	4x8-10 FCM3-BL カップネジ	BL		
29	EX601150	BW HEAD S-TYTE SCREW	4x8-10 FNM3-BL BWヘッドSタイトネジ	T		
30	EZ000460	BIND HEAD BONDING TAP. SCREW	3x8 FCM3-BL ボンディングタッピング			
31	Ei330086	BINDING HEAD TAPPING SCREW	3x8 FCRM3-BL バインドタッピングネジ			
32	ED330066	BINDING HEAD SCREW	3x6 FCM3-BL バインド小ネジ			
33	EX600240	BW HEAD TAPPING SCREW	3x8 FCM3-BL BWヘッドタッピングネジ			
34	Ei330066	BINDING HEAD TAPPING SCREW	3x6 FCRM3-BL バインドタッピングネジ			
35	EK336020	BW HEAD TAPPING SCREW	3x6 FCM3-BL BWヘッドタッピングネジ			
36	Ei340086	BINDING HEAD TAPPING SCREW	4x8 FCRM3-BL バインドタッピングネジ			
37	EJ326086	PAN HEAD TAPPING SCREW	2.6x8 FCM3-BL ナベタッピングネジ		R,P	
38	CB069250	BINDING TIE	BK-1 束線止め			
39	CB040540	BINDING TIE	束線止め			
		ACCESSORIES	付属品			
#	Vi352400	REMOTE CONTROL TRANSMITTER DRY CELL	SUM-3,R6,AA リモコントランスミッター マンガン電池		U,C U,C	
#	Vi467700	REMOTE CONTROL TRANSMITTER DRY CELL	UM-4,R03,AAA トランスミッター マンガン電池		R,A,B,G R,A,B,G	
	Vii447900	ACCESSORIES ASSY	LABEL 付属品ASSY		U,C	
	Mi066210	PIN CORD	1.2M 出力コード			
	VA945800	CONNECTOR	500MM コネクタ			
	VA945900	CONNECTOR	500MM コネクタ			
	Mi081780	CORD WITH MINI-PLUG	1.2M ミニプラグコード			

*New Parts (新規部品)

ランク : Japan only

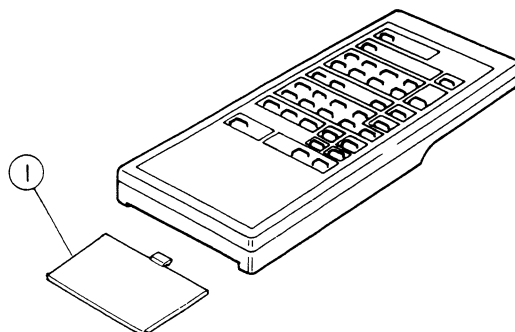
EXPLODED VIEW

- U.S.A. and Canadian models



Note)
A hook is provided at each
position marked with an
arrow (←).

- European, British, Australian and General models



Ref. NO.	PART NO.	Description			部 品 名	Remarks	Markets	ランク
社 01	Vi352400	REMOTE CONTROL TRANSMITTER			リモコン		C	21
	CX613230	CASE (A) ASS'Y			上ケース ASSY			
	CX611070	CASE (B)			下ケース		UR66CS200E	
	CX611080	LID			電池蓋		UR66EC201E	
社 02	CX607950	FILTER, SMOKE			スモーク板		UR66SU257	
社 05	CX611090	RUBBER, CONTACT (A)			ゴム接点 (A)		UR66CT202A	
	CX613210	RUBBER, CONTACT (B)			ゴム接点 (B)		UR66CT203L	
	CX613220	RUBBER, CONTACT			ゴム接点		UR66CT204L	
	CX608090	KNOB			ノブ		UR66VTM83	
社 09	NX607300	P.C.B. ASS'Y			プリント基板 ASSY		UR66VPB133	
社 10	LX602520	TERMINAL, BATTERY			電極板		UR66TD239	
	EO320066	FLAT HEAD TAPPING SCREW	2x6	FCRM3-BL	皿タッピングネジ	PACK	XTS2+6GFZ	
	EJO20056	PAN HEAD TAPPING SCREW	2x5	ZMC2-Y	ナベタッピングネジ	PACK	XTB2+5GFZ	
社 11	NX607300	P.C.B. ASS'Y			プリント基板 ASSY		UR66VPB133	
	iX612280	PHOTO DIODE		TPS705	フォトダイオード	D1		
	iX614280	LED (RED)		LN01201CQ	LED	D2, 3		
	iX612290	LED		SE303AS	赤外線 LED	D4, 5		
社 12	QX600270	CERAMIC RESONATOR		CSA737MT	セラミック発振子	X1		
	UJ118100	ELECTROLYTIC CAP	100uF	6.3V	ケミコン	C9		
	UJ118220	ELECTROLYTIC CAP	220uF	6.3V	ケミコン	C6		
社 13	LX602530	TERMINAL, BATTERY			電極板	(-)	UR66TD209	
	LX602540	TERMINAL, BATTERY			電極板	(+)	UR66TD208	
社 01	Vi467700	REMOTE CONTROL TRANSMITTER			リモコン		R, A, B, G	
	CX613770	LID			電池蓋		PH1-562-12	

*New Parts (新規部品)

ランク: Japan Only

COPY

A

B

C

D

CX-830

• U.S.A. and Canadian models

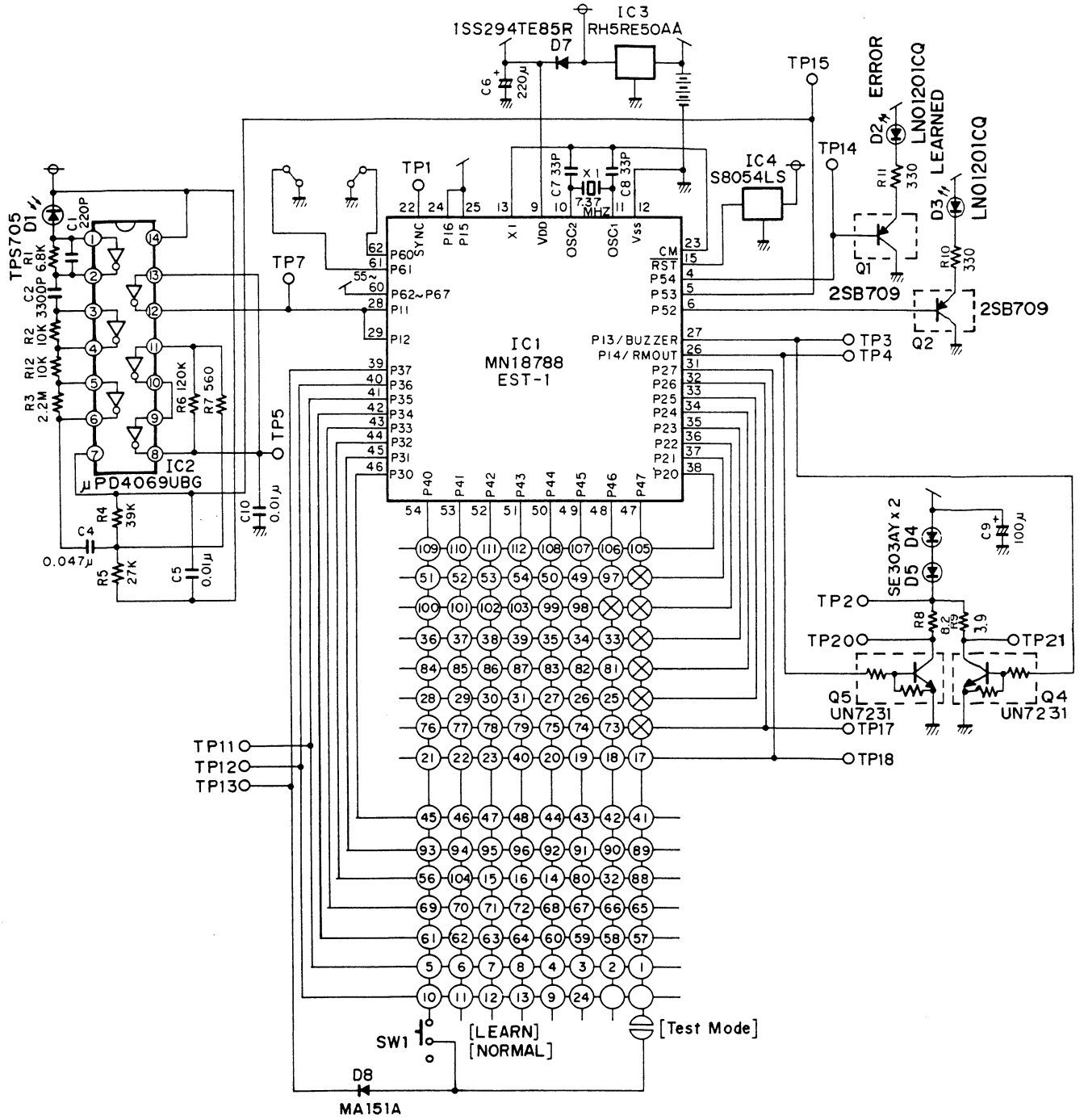
1

2

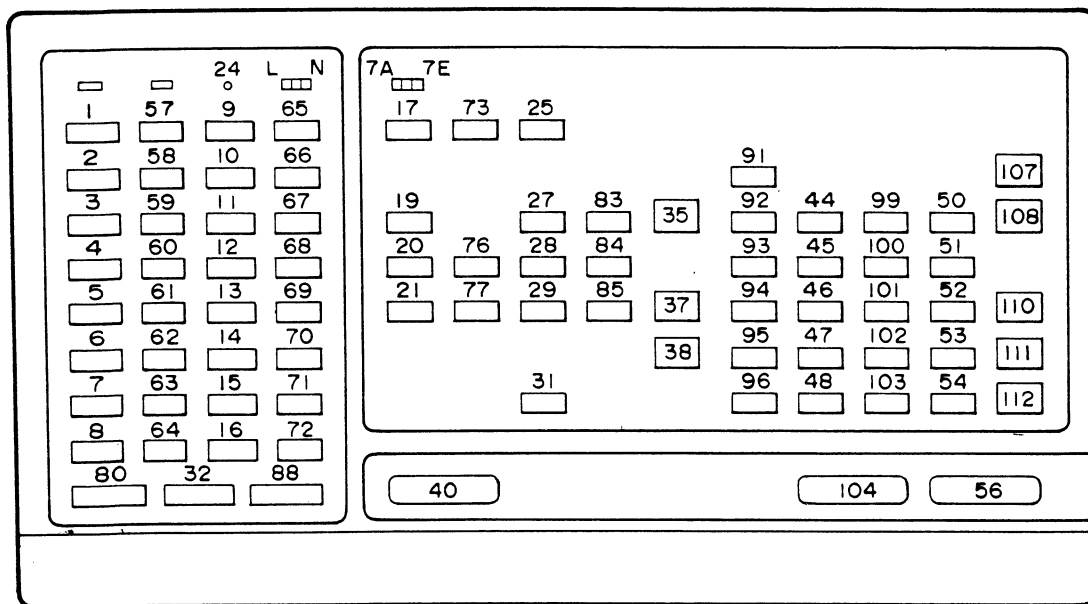
3

4

5



- U.S.A. and Canadian models



CX-830

Key No.	FUNCTION	OUTPUT CODE	Key No.	FUNCTION	OUTPUT CODE	Key No.	FUNCTION	OUTPUT CODE
1~16	LEARNING		44	CD SKIP $\triangleright\triangleright$	7A-0A	—	—	—
17	EQ PRESET DOWN	7A-5C	45	CD SEARCH \triangleright	7A-0C	88	LEARNING	
19	LD OPEN/CLOSE	7C-01	46	TUNER P. DOWN	7A-11	—	—	—
20	LD CHAPTER "-"	7C-02	47	TAPE DIR A	7A-07	—	—	—
21	LD STILL \triangleleft	7C-0A	48	TAPE $\triangleleft\triangleleft$	7A-01	91	PHONO PLAY/CUT	7A-0E
—	—	—	—	—	—	92	CD SKIP $\triangleleft\triangleleft$	7A-0B
—	—	—	50	CD DISC UP	7A-4F	93	CD SEARCH $\triangleleft\triangleleft$	7A-0D
24	RESET		51	CD PLAY	7A-08	94	TAPE DECK A/B	7A-06
25	EQ ON/FLAT	7A-5A	52	TUNER A/B/C	7A-12	95	TAPE REC/PAUSE	7A-04
27	LD PAUSE/STOP	7C-04	53	TAPE DIR B	7A-40	96	TAPE REC/MUTE	7A-05
28	LD SEARCH $\triangleleft\triangleleft$	7C-06	54	TAPE $\triangleright\triangleright$	7A-02	—	—	—
29	LD SOUND	7C-12	—	—	—	—	—	—
—	—	—	56	(VOLUME UP)	(7A-1A)	99	CD DISC DOWN	7A-50
31	MUTING	7A-1C	57~72	LEARNING		100	CD PAUSE/STOP	7A-09
32	LEARNING		73	EQ PRESET UP	7A-5B	101	TUNER P. UP	7A-10
—	—	—	76	LD CHAPTER "+"	7C-03	102	TAPE PLAY	7A-08
—	—	—	77	LD STILL \triangleright	7C-0B	103	TAPE STOP	7A-03
35	LD	7A-17	—	—	—	104	(VOLUME DOWN)	(7A-1B)
—	—	—	—	—	—	—	—	—
37	VCR 1	7A-0F	80	LEARNING		—	—	—
38	VCR 2	7A-13	—	—	—	107	PHONO	7A-14
—	—	—	—	—	—	108	CD	7A-15
40	POWER	7A-1F	83	LD PLAY	7C-05	—	—	—
—	—	—	84	LD SEARCH $\triangleright\triangleright$	7C-07	110	TUNER	7A-06
—	—	—	85	LD DISPLAY	7C-13	111	TAPE 1	7A-08
—	—	—	—	—	—	112	TAPE 2 MONI	7A-09

• European, British, Australian and General models

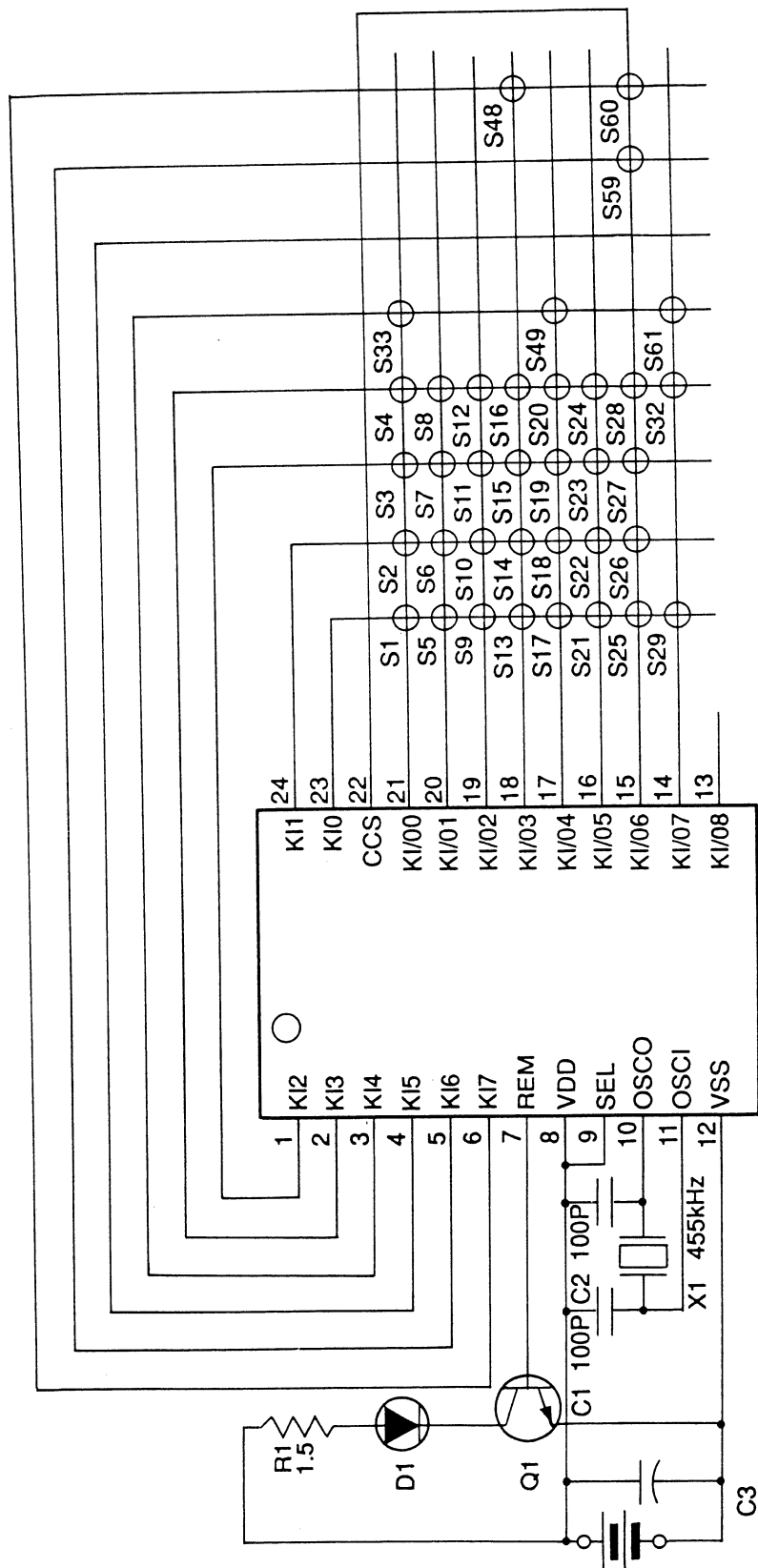
1

2

3

4

5



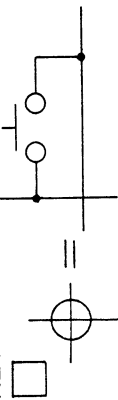
IC1: MPD6122G-510

D1: SLR-932A

Q1: 2SC1652R or Q

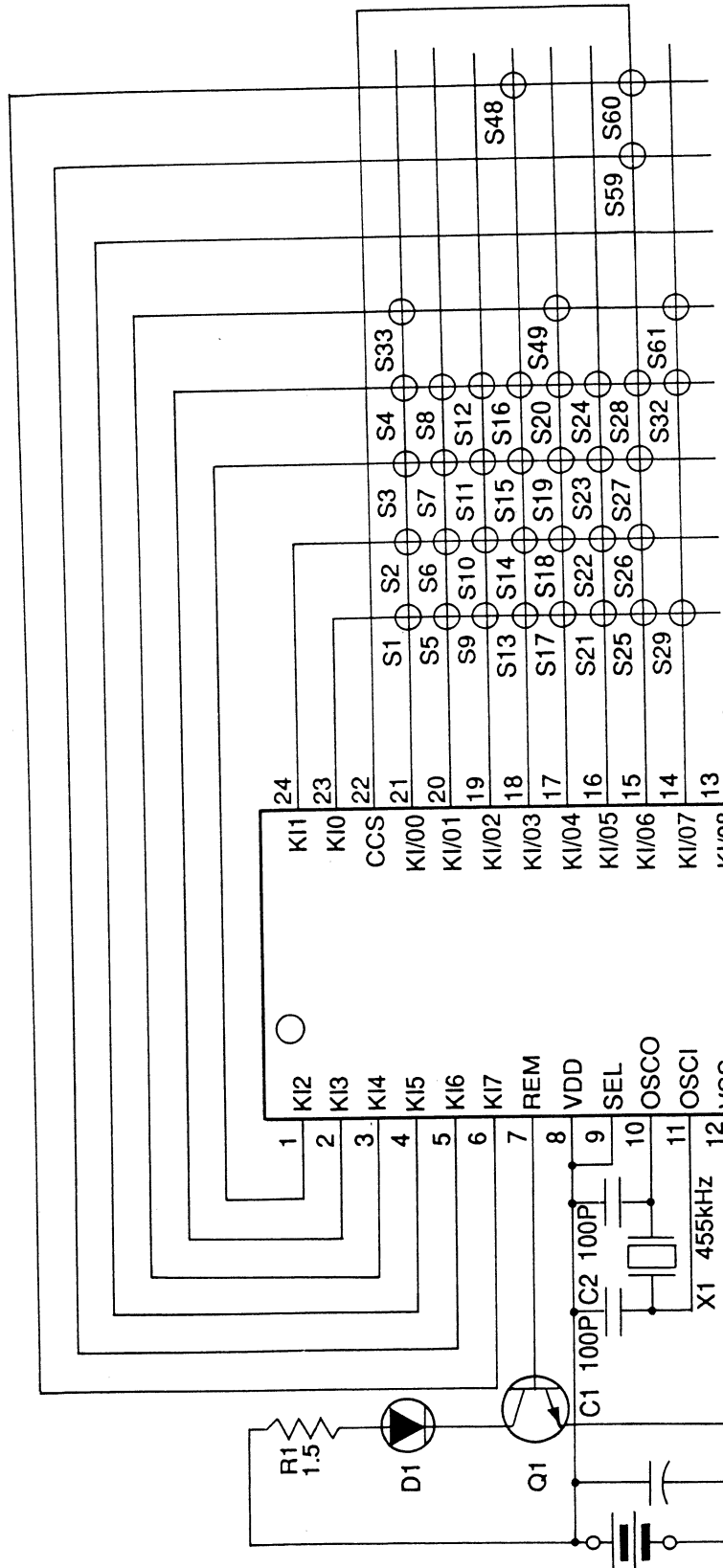
C3
47µF 6.3V

KEY No.



• European, British, Australian and General models

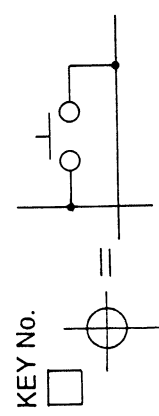
1
2
3
4
5



IC1: MPD6122G-510

D1: SLR-932A
Q1: 2SC1652R or Q

C3
47μ/6.3V



• European, British, Australian and General models

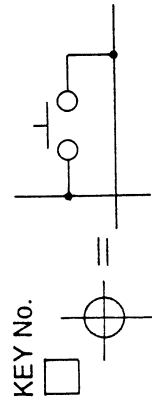
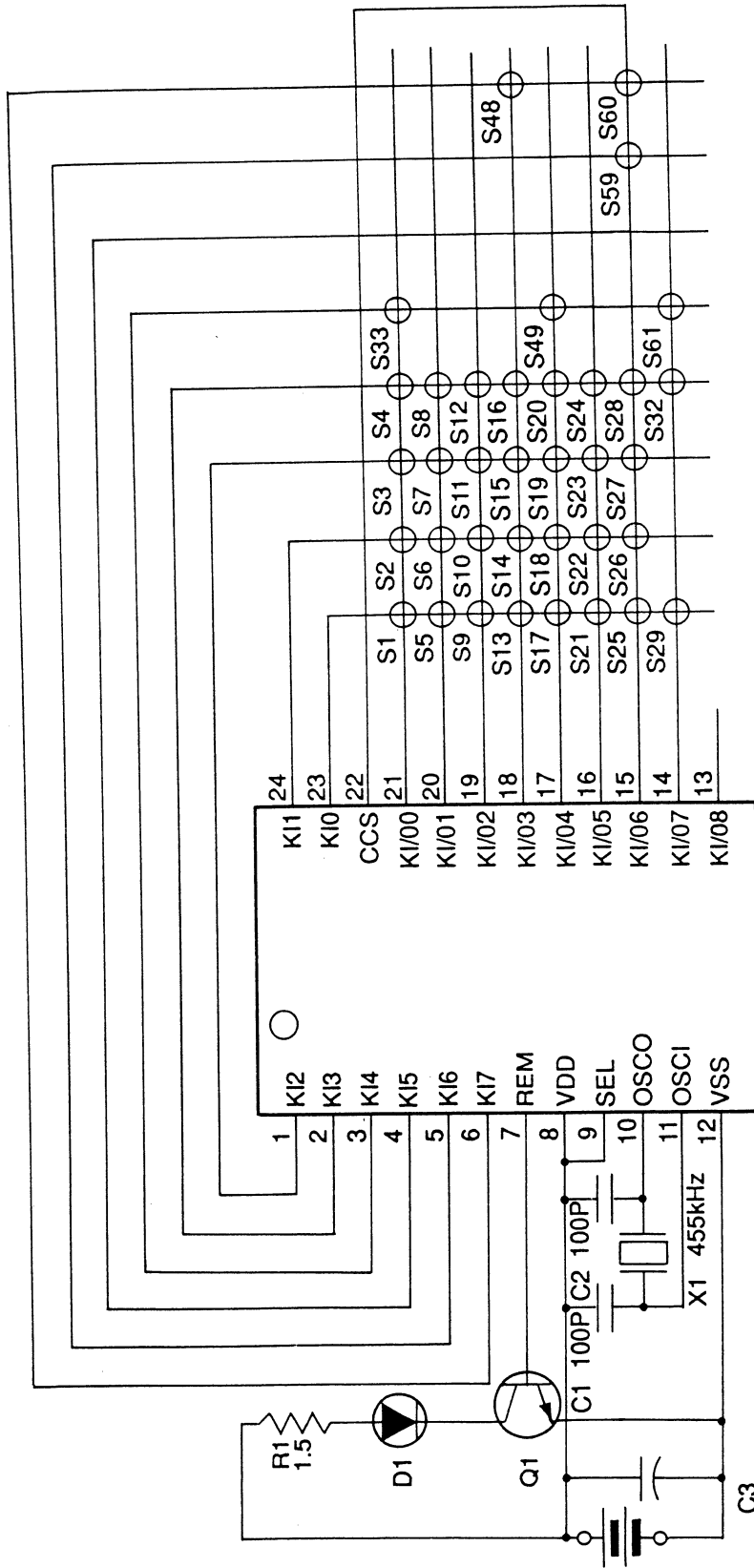
1

2

3

4

5



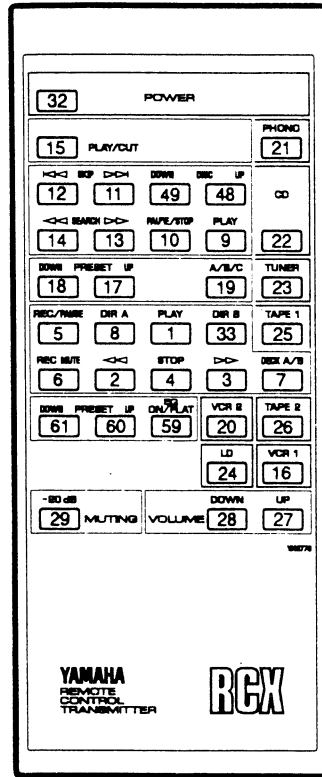
IC1: MPD6122G-510

D1: SLR-932A

Q1: 2SC1652R or Q

C3
47μ/6.3V

- European, British, Australian and General models



CX-830

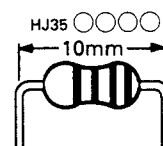
C0 C1 C2 C3 C4 C5 C6 C7
 CUSTOM CODE : 0 1 0 1 1 1 1 0

KEY No.	DATA CODE							FUNCTION	KEY No.	DATA CODE							FUNCTION		
	D0	D1	D2	D3	D4	D5	D6			D7	D0	D1	D2	D3	D4	D5		D6	D7
1	0	0	0	0	0	0	0	0	PLAY (TAPE)	19	0	1	0	0	1	0	0	0	A/B/C (TUNER)
2	1	0	0	0	0	0	0	0	◀◀ (TAPE)	20	1	1	0	0	1	0	0	0	VCR 2
3	0	1	0	0	0	0	0	0	▶▶ (TAPE)	21	0	0	1	0	1	0	0	0	PHONO
4	1	1	0	0	0	0	0	0	STOP (TAPE)	22	1	0	1	0	1	0	0	0	CD
5	0	0	1	0	0	0	0	0	REC/PAUSE (TAPE)	23	0	1	1	0	1	0	0	0	TUNER
6	1	0	1	0	0	0	0	0	REC MUTE (TAPE)	24	1	1	1	0	1	0	0	0	LD
7	0	1	1	0	0	0	0	0	DECK A/B (TAPE)	25	0	0	0	1	1	0	0	0	TAPE 1
8	1	1	1	0	0	0	0	0	DIR A (TAPE)	26	1	0	0	1	1	0	0	0	TAPE 2
9	0	0	0	1	0	0	0	0	PLAY (CD)	27	0	1	0	1	1	0	0	0	VOLUME UP
10	1	0	0	1	0	0	0	0	PAUSE/STOP (CD)	28	1	1	0	1	1	0	0	0	VOLUME DOWN
11	0	1	0	1	0	0	0	0	SKIP ▶▶ (CD)	29	0	0	1	1	1	0	0	0	MUTING
12	1	1	0	1	0	0	0	0	SKIP ◀◀ (CD)	32	1	1	1	1	1	0	0	0	POWER
13	0	0	1	1	0	0	0	0	SEARCH ▶▶ (CD)	33	0	0	0	0	0	0	1	0	DIR B (TAPE)
14	1	0	1	1	0	0	0	0	SEARCH ◀◀ (CD)	48	1	1	1	1	0	0	1	0	DISK UP (CD)
15	0	1	1	1	0	0	0	0	PLAY/CUT (PHONO)	49	0	0	0	0	1	0	1	0	DISK DOWN (CD)
16	1	1	1	1	0	0	0	0	VCR 1	59	0	1	0	1	1	0	1	0	ON/FLAT (EQ)
17	0	0	0	0	1	0	0	0	PRESET UP (TUNER)	60	1	1	0	1	1	0	1	0	PRESET UP (EQ)
18	1	0	0	0	1	0	0	0	PRESET DOWN (TUNER)	61	0	0	1	1	1	0	1	0	PRESET DOWN (EQ)

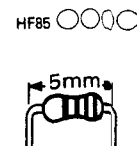
Parts List for Carbon Resistors

Value	1/4W Type Part No.	1/6W Type Part No.	Value	1/4W Type Part No.	1/6W Type Part No.
1.0Ω	HJ35 3100	※	12KΩ	HJ35 7120	HF85 7120
1.8Ω	HJ35 3180	※	15Ω	HJ35 7150	HF85 7150
2.2Ω	HJ35 3220	HF85 3220	18Ω	HJ35 7180	HF85 7180
3.3Ω	HJ35 3330	HF85 3330	22Ω	HJ35 7220	HF85 7220
4.7Ω	HJ35 3470	HF85 3470	27Ω	HJ35 7270	HF85 7270
5.6Ω	HJ35 3560	HF85 3560	33Ω	HJ35 7330	HF85 7330
10Ω	HJ35 4100	HF85 4100	39Ω	HJ35 7390	HF85 7390
15Ω	HJ35 4150	HF85 4150	47Ω	HJ35 7470	HF85 7470
22Ω	HJ35 4220	HF85 4220	56Ω	HJ35 7560	HF85 7560
27Ω	HJ35 4270	HF85 4270	68Ω	HJ35 7680	HF85 7680
33Ω	HJ35 4330	HF85 4330	82Ω	HJ35 7820	HF85 7820
39Ω	HJ35 4390	HF85 4390	91Ω	HJ35 7910	HF85 7910
47Ω	HJ35 4470	HF85 4470	100Ω	HJ35 8100	HF85 8100
56Ω	HJ35 4560	HF85 4560	120Ω	HJ35 8120	HF85 8120
68Ω	HJ35 4680	HF85 4680	150Ω	HJ35 8150	HF85 8150
82Ω	HJ35 4820	HF85 4820	180Ω	HJ35 8180	HF85 8180
100Ω	HJ35 5100	HF85 5100	220Ω	HJ35 8220	HF85 8220
110Ω	HJ35 5110	HF85 5100	270Ω	HJ35 8270	HF85 8270
120Ω	HJ35 5120	HF85 5120	330Ω	HJ35 8330	HF85 8330
150Ω	HJ35 5150	HF85 5150	390Ω	HJ35 8390	HF85 8390
160Ω	HJ35 5160	※	470Ω	HJ35 8470	HF85 8470
180Ω	HJ35 5180	HF85 5180	560Ω	HJ35 8560	HF85 8560
220Ω	HJ35 5220	HF85 5220	680Ω	HJ35 8680	HF85 8680
270Ω	HJ35 5270	HF85 5270	820Ω	HJ35 8820	HF85 8820
330Ω	HJ35 5330	HF85 5330	1.0MΩ	HJ35 9100	HF85 9100
390Ω	HJ35 5390	HF85 5390	1.2Ω	HJ35 9120	※
470Ω	HJ35 5470	HF85 5470	1.5Ω	HJ35 9150	HF85 9150
510Ω	※	HF85 5510	1.8Ω	HJ35 9180	HF85 9180
560Ω	HJ35 5560	HF85 5560	2.2Ω	HJ35 9220	HF85 9220
680Ω	HJ35 5680	HF85 5680	3.3Ω	HJ35 9330	HF85 9330
820Ω	HJ35 5820	HF85 5820	3.9Ω	HJ35 9390	※
910Ω	HJ35 5910	HF85 5910	4.7Ω	HJ35 9470	※
1.0KΩ	HJ35 6100	HF85 6100			
1.2Ω	HJ35 6120	HF85 6120			
1.5Ω	HJ35 6150	HF85 6150			
1.8Ω	HJ35 6180	HF85 6180			
2.0Ω	HJ35 6200	HF85 6200			
2.2Ω	HJ35 6220	HF85 6220			
2.4Ω	HJ35 6240	HF85 6240			
2.7Ω	HJ35 6270	HF85 6270			
3.0Ω	HJ35 6300	HF85 6300			
3.3Ω	HJ35 6330	HF85 6330			
3.6Ω	HJ35 6360	HF85 6360			
3.9Ω	HJ35 6390	HF85 6390			
4.7Ω	HJ35 6470	HF85 6470			
5.1Ω	HJ35 6510	HF85 6510			
5.6Ω	HJ35 6560	HF85 6560			
6.8Ω	HJ35 6680	HF85 6680			
8.2Ω	HJ35 6820	HF85 6820			
9.1Ω	HJ35 6910	HF85 6910			
10Ω	HJ35 7100	HF85 7100			

1/4W Type



1/6W Type



Parts List for Carbon Resistors

Value	1/4W Type Part No.	1/6W Type Part No.	Value	1/4W Type Part No.	1/6W Type Part No.
1.0Ω	HJ35 3100	※	12KΩ	HJ35 7120	HF85 7120
1.8Ω	HJ35 3180	※	15Ω	HJ35 7150	HF85 7150
2.2Ω	HJ35 3220	HF85 3220	18Ω	HJ35 7180	HF85 7180
3.3Ω	HJ35 3330	HF85 3330	22Ω	HJ35 7220	HF85 7220
4.7Ω	HJ35 3470	HF85 3470	27Ω	HJ35 7270	HF85 7270
5.6Ω	HJ35 3560	HF85 3560	33Ω	HJ35 7330	HF85 7330
10Ω	HJ35 4100	HF85 4100	39Ω	HJ35 7390	HF85 7390
15Ω	HJ35 4150	HF85 4150	47Ω	HJ35 7470	HF85 7470
22Ω	HJ35 4220	HF85 4220	56Ω	HJ35 7560	HF85 7560
27Ω	HJ35 4270	HF85 4270	68Ω	HJ35 7680	HF85 7680
33Ω	HJ35 4330	HF85 4330	82Ω	HJ35 7820	HF85 7820
39Ω	HJ35 4390	HF85 4390	91Ω	HJ35 7910	HF85 7910
47Ω	HJ35 4470	HF85 4470	100Ω	HJ35 8100	HF85 8100
56Ω	HJ35 4560	HF85 4560	120Ω	HJ35 8120	HF85 8120
68Ω	HJ35 4680	HF85 4680	150Ω	HJ35 8150	HF85 8150
82Ω	HJ35 4820	HF85 4820	180Ω	HJ35 8180	HF85 8180
100Ω	HJ35 5100	HF85 5100	220Ω	HJ35 8220	HF85 8220
110Ω	HJ35 5110	HF85 5100	270Ω	HJ35 8270	HF85 8270
120Ω	HJ35 5120	HF85 5120	330Ω	HJ35 8330	HF85 8330
150Ω	HJ35 5150	HF85 5150	390Ω	HJ35 8390	HF85 8390
160Ω	HJ35 5160	※	470Ω	HJ35 8470	HF85 8470
180Ω	HJ35 5180	HF85 5180	560Ω	HJ35 8560	HF85 8560
220Ω	HJ35 5220	HF85 5220	680Ω	HJ35 8680	HF85 8680
270Ω	HJ35 5270	HF85 5270	820Ω	HJ35 8820	HF85 8820
330Ω	HJ35 5330	HF85 5330	1.0MΩ	HJ35 9100	HF85 9100
390Ω	HJ35 5390	HF85 5390	1.2Ω	HJ35 9120	※
470Ω	HJ35 5470	HF85 5470	1.5Ω	HJ35 9150	HF85 9150
510Ω	※	HF85 5510	1.8Ω	HJ35 9180	HF85 9180
560Ω	HJ35 5560	HF85 5560	2.2Ω	HJ35 9220	HF85 9220
680Ω	HJ35 5680	HF85 5680	3.3Ω	HJ35 9330	HF85 9330
820Ω	HJ35 5820	HF85 5820	3.9Ω	HJ35 9390	※
910Ω	HJ35 5910	HF85 5910	4.7Ω	HJ35 9470	※
1.0KΩ	HJ35 6100	HF85 6100			
1.2Ω	HJ35 6120	HF85 6120			
1.5Ω	HJ35 6150	HF85 6150			
1.8Ω	HJ35 6180	HF85 6180			
2.0Ω	HJ35 6200	HF85 6200			
2.2Ω	HJ35 6220	HF85 6220			
2.4Ω	HJ35 6240	HF85 6240			
2.7Ω	HJ35 6270	HF85 6270			
3.0Ω	HJ35 6300	HF85 6300			
3.3Ω	HJ35 6330	HF85 6330			
3.6Ω	HJ35 6360	HF85 6360			
3.9Ω	HJ35 6390	HF85 6390			
4.7Ω	HJ35 6470	HF85 6470			
5.1Ω	HJ35 6510	HF85 6510			
5.6Ω	HJ35 6560	HF85 6560			
6.8Ω	HJ35 6680	HF85 6680			
8.2Ω	HJ35 6820	HF85 6820			
9.1Ω	HJ35 6910	HF85 6910			
10Ω	HJ35 7100	HF85 7100			

1/4W Type

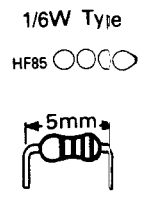
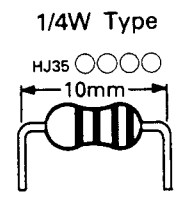
HJ35 ○○○○
←10mm→

1/6W Type

HF85 ○○○○
←5mm→

Parts List for Carbon Resistors

Value	1/4W Type Part No.	1/6W Type Part No.	Value	1/4W Type Part No.	1/6W Type Part No.
1.0Ω	HJ35 3100	※	12KΩ	HJ35 7120	HF85 7120
1.8Ω	HJ35 3180	※	15Ω	HJ35 7150	HF85 7150
2.2Ω	HJ35 3220	HF85 3220	18Ω	HJ35 7180	HF85 7180
3.3Ω	HJ35 3330	HF85 3330	22Ω	HJ35 7220	HF85 7220
4.7Ω	HJ35 3470	HF85 3470	27Ω	HJ35 7270	HF85 7270
5.6Ω	HJ35 3560	HF85 3560	33Ω	HJ35 7330	HF85 7330
10Ω	HJ35 4100	HF85 4100	39Ω	HJ35 7390	HF85 7390
15Ω	HJ35 4150	HF85 4150	47Ω	HJ35 7470	HF85 7470
22Ω	HJ35 4220	HF85 4220	56Ω	HJ35 7560	HF85 7560
27Ω	HJ35 4270	HF85 4270	68Ω	HJ35 7680	HF85 7680
33Ω	HJ35 4330	HF85 4330	82Ω	HJ35 7820	HF85 7820
39Ω	HJ35 4390	HF85 4390	91Ω	HJ35 7910	HF85 7910
47Ω	HJ35 4470	HF85 4470	100Ω	HJ35 8100	HF85 8100
56Ω	HJ35 4560	HF85 4560	120Ω	HJ35 8120	HF85 8120
68Ω	HJ35 4680	HF85 4680	150Ω	HJ35 8150	HF85 8150
82Ω	HJ35 4820	HF85 4820	180Ω	HJ35 8180	HF85 8180
100Ω	HJ35 5100	HF85 5100	220Ω	HJ35 8220	HF85 8220
110Ω	HJ35 5110	HF85 5100	270Ω	HJ35 8270	HF85 8270
120Ω	HJ35 5120	HF85 5120	330Ω	HJ35 8330	HF85 8330
150Ω	HJ35 5150	HF85 5150	390Ω	HJ35 8390	HF85 8390
160Ω	HJ35 5160	※	470Ω	HJ35 8470	HF85 8470
180Ω	HJ35 5180	HF85 5180	560Ω	HJ35 8560	HF85 8560
220Ω	HJ35 5220	HF85 5220	680Ω	HJ35 8680	HF85 8680
270Ω	HJ35 5270	HF85 5270	820Ω	HJ35 8820	HF85 8820
330Ω	HJ35 5330	HF85 5330	1.0MΩ	HJ35 9100	HF85 9100
390Ω	HJ35 5390	HF85 5390	1.2Ω	HJ35 9120	※
470Ω	HJ35 5470	HF85 5470	1.5Ω	HJ35 9150	HF85 9150
510Ω	※	HF85 5510	1.8Ω	HJ35 9180	HF85 9180
560Ω	HJ35 5560	HF85 5560	2.2Ω	HJ35 9220	HF85 9220
680Ω	HJ35 5680	HF85 5680	3.3Ω	HJ35 9330	HF85 9330
820Ω	HJ35 5820	HF85 5820	3.9Ω	HJ35 9390	※
910Ω	HJ35 5910	HF85 5910	4.7Ω	HJ35 9470	※
1.0KΩ	HJ35 6100	HF85 6100			
1.2Ω	HJ35 6120	HF85 6120			
1.5Ω	HJ35 6150	HF85 6150			
1.8Ω	HJ35 6180	HF85 6180			
2.0Ω	HJ35 6200	HF85 6200			
2.2Ω	HJ35 6220	HF85 6220			
2.4Ω	HJ35 6240	HF85 6240			
2.7Ω	HJ35 6270	HF85 6270			
3.0Ω	HJ35 6300	HF85 6300			
3.3Ω	HJ35 6330	HF85 6330			
3.6Ω	HJ35 6360	HF85 6360			
3.9Ω	HJ35 6390	HF85 6390			
4.7Ω	HJ35 6470	HF85 6470			
5.1Ω	HJ35 6510	HF85 6510			
5.6Ω	HJ35 6560	HF85 6560			
6.8Ω	HJ35 6680	HF85 6680			
8.2Ω	HJ35 6820	HF85 6820			
9.1Ω	HJ35 6910	HF85 6910			
10Ω	HJ35 7100	HF85 7100			

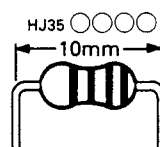


CX-830

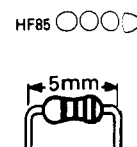
Parts List for Carbon Resistors

Value	1/4W Type Part No.	1/6W Type Part No.	Value	1/4W Type Part No.	1/6W Type Part No.
1.0Ω	HJ35 3100	※	12KΩ	HJ35 7120	HF85 7120
1.8Ω	HJ35 3180	※	15Ω	HJ35 7150	HF85 7150
2.2Ω	HJ35 3220	HF85 3220	18Ω	HJ35 7180	HF85 7180
3.3Ω	HJ35 3330	HF85 3330	22Ω	HJ35 7220	HF85 7220
4.7Ω	HJ35 3470	HF85 3470	27Ω	HJ35 7270	HF85 7270
5.6Ω	HJ35 3560	HF85 3560	33Ω	HJ35 7330	HF85 7330
10Ω	HJ35 4100	HF85 4100	39Ω	HJ35 7390	HF85 7390
15Ω	HJ35 4150	HF85 4150	47Ω	HJ35 7470	HF85 7470
22Ω	HJ35 4220	HF85 4220	56Ω	HJ35 7560	HF85 7560
27Ω	HJ35 4270	HF85 4270	68Ω	HJ35 7680	HF85 7680
33Ω	HJ35 4330	HF85 4330	82Ω	HJ35 7820	HF85 7820
39Ω	HJ35 4390	HF85 4390	91Ω	HJ35 7910	HF85 7910
47Ω	HJ35 4470	HF85 4470	100Ω	HJ35 8100	HF85 8100
56Ω	HJ35 4560	HF85 4560	120Ω	HJ35 8120	HF85 8120
68Ω	HJ35 4680	HF85 4680	150Ω	HJ35 8150	HF85 8150
82Ω	HJ35 4820	HF85 4820	180Ω	HJ35 8180	HF85 8180
100Ω	HJ35 5100	HF85 5100	220Ω	HJ35 8220	HF85 8220
110Ω	HJ35 5110	HF85 5100	270Ω	HJ35 8270	HF85 8270
120Ω	HJ35 5120	HF85 5120	330Ω	HJ35 8330	HF85 8330
150Ω	HJ35 5150	HF85 5150	390Ω	HJ35 8390	HF85 8390
160Ω	HJ35 5160	※	470Ω	HJ35 8470	HF85 8470
180Ω	HJ35 5180	HF85 5180	560Ω	HJ35 8560	HF85 8560
220Ω	HJ35 5220	HF85 5220	680Ω	HJ35 8680	HF85 8680
270Ω	HJ35 5270	HF85 5270	820Ω	HJ35 8820	HF85 8820
330Ω	HJ35 5330	HF85 5330	1.0MΩ	HJ35 9100	HF85 9100
390Ω	HJ35 5390	HF85 5390	1.2Ω	HJ35 9120	※
470Ω	HJ35 5470	HF85 5470	1.5Ω	HJ35 9150	HF85 9150
510Ω	※	HF85 5510	1.8Ω	HJ35 9180	HF85 9180
560Ω	HJ35 5560	HF85 5560	2.2Ω	HJ35 9220	HF85 9220
680Ω	HJ35 5680	HF85 5680	3.3Ω	HJ35 9330	HF85 9330
820Ω	HJ35 5820	HF85 5820	3.9Ω	HJ35 9390	※
910Ω	HJ35 5910	HF85 5910	4.7Ω	HJ35 9470	※
1.0KΩ	HJ35 6100	HF85 6100			
1.2Ω	HJ35 6120	HF85 6120			
1.5Ω	HJ35 6150	HF85 6150			
1.8Ω	HJ35 6180	HF85 6180			
2.0Ω	HJ35 6200	HF85 6200			
2.2Ω	HJ35 6220	HF85 6220			
2.4Ω	HJ35 6240	HF85 6240			
2.7Ω	HJ35 6270	HF85 6270			
3.0Ω	HJ35 6300	HF85 6300			
3.3Ω	HJ35 6330	HF85 6330			
3.6Ω	HJ35 6360	HF85 6360			
3.9Ω	HJ35 6390	HF85 6390			
4.7Ω	HJ35 6470	HF85 6470			
5.1Ω	HJ35 6510	HF85 6510			
5.6Ω	HJ35 6560	HF85 6560			
6.8Ω	HJ35 6680	HF85 6680			
8.2Ω	HJ35 6820	HF85 6820			
9.1Ω	HJ35 6910	HF85 6910			
10Ω	HJ35 7100	HF85 7100			

1/4W Type



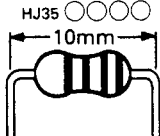
1/6W Type



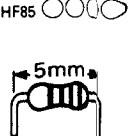
Parts List for Carbon Resistors

Value	1/4W Type Part No.	1/6W Type Part No.	Value	1/4W Type Part No.	1/6W Type Part No.
1.0Ω	HJ35 3100	※	12KΩ	HJ35 7120	HF85 7120
1.8Ω	HJ35 3180	※	15Ω	HJ35 7150	HF85 7150
2.2Ω	HJ35 3220	HF85 3220	18Ω	HJ35 7180	HF85 7180
3.3Ω	HJ35 3330	HF85 3330	22Ω	HJ35 7220	HF85 7220
4.7Ω	HJ35 3470	HF85 3470	27Ω	HJ35 7270	HF85 7270
5.6Ω	HJ35 3560	HF85 3560	33Ω	HJ35 7330	HF85 7330
10Ω	HJ35 4100	HF85 4100	39Ω	HJ35 7390	HF85 7390
15Ω	HJ35 4150	HF85 4150	47Ω	HJ35 7470	HF85 7470
22Ω	HJ35 4220	HF85 4220	56Ω	HJ35 7560	HF85 7560
27Ω	HJ35 4270	HF85 4270	68Ω	HJ35 7680	HF85 7680
33Ω	HJ35 4330	HF85 4330	82Ω	HJ35 7820	HF85 7820
39Ω	HJ35 4390	HF85 4390	91Ω	HJ35 7910	HF85 7910
47Ω	HJ35 4470	HF85 4470	100Ω	HJ35 8100	HF85 8100
56Ω	HJ35 4560	HF85 4560	120Ω	HJ35 8120	HF85 8120
68Ω	HJ35 4680	HF85 4680	150Ω	HJ35 8150	HF85 8150
82Ω	HJ35 4820	HF85 4820	180Ω	HJ35 8180	HF85 8180
100Ω	HJ35 5100	HF85 5100	220Ω	HJ35 8220	HF85 8220
110Ω	HJ35 5110	HF85 5100	270Ω	HJ35 8270	HF85 8270
120Ω	HJ35 5120	HF85 5120	330Ω	HJ35 8330	HF85 8330
150Ω	HJ35 5150	HF85 5150	390Ω	HJ35 8390	HF85 8390
160Ω	HJ35 5160	※	470Ω	HJ35 8470	HF85 8470
180Ω	HJ35 5180	HF85 5180	560Ω	HJ35 8560	HF85 8560
220Ω	HJ35 5220	HF85 5220	680Ω	HJ35 8680	HF85 8680
270Ω	HJ35 5270	HF85 5270	820Ω	HJ35 8820	HF85 8820
330Ω	HJ35 5330	HF85 5330	1.0MΩ	HJ35 9100	HF85 9100
390Ω	HJ35 5390	HF85 5390	1.2Ω	HJ35 9120	※
470Ω	HJ35 5470	HF85 5470	1.5Ω	HJ35 9150	HF85 9150
510Ω	※	HF85 5510	1.8Ω	HJ35 9180	HF85 9180
560Ω	HJ35 5560	HF85 5560	2.2Ω	HJ35 9220	HF85 9220
680Ω	HJ35 5680	HF85 5680	3.3Ω	HJ35 9330	HF85 9330
820Ω	HJ35 5820	HF85 5820	3.9Ω	HJ35 9390	※
910Ω	HJ35 5910	HF85 5910	4.7Ω	HJ35 9470	※
1.0KΩ	HJ35 6100	HF85 6100			
1.2Ω	HJ35 6120	HF85 6120			
1.5Ω	HJ35 6150	HF85 6150			
1.8Ω	HJ35 6180	HF85 6180			
2.0Ω	HJ35 6200	HF85 6200			
2.2Ω	HJ35 6220	HF85 6220			
2.4Ω	HJ35 6240	HF85 6240			
2.7Ω	HJ35 6270	HF85 6270			
3.0Ω	HJ35 6300	HF85 6300			
3.3Ω	HJ35 6330	HF85 6330			
3.6Ω	HJ35 6360	HF85 6360			
3.9Ω	HJ35 6390	HF85 6390			
4.7Ω	HJ35 6470	HF85 6470			
5.1Ω	HJ35 6510	HF85 6510			
5.6Ω	HJ35 6560	HF85 6560			
6.8Ω	HJ35 6680	HF85 6680			
8.2Ω	HJ35 6820	HF85 6820			
9.1Ω	HJ35 6910	HF85 6910			
10Ω	HJ35 7100	HF85 7100			

1/4W Type



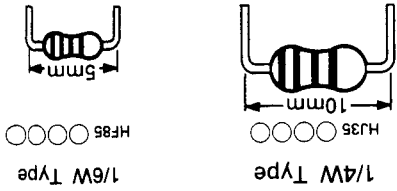
1/6W Type



Parts List for Carbon Resistors

CX-830

Value	1/4W Type Part No.	1/6W Type Part No.	Value	1/4W Type Part No.	1/6W Type Part No.
1.0Ω	HJ35 3100	*	12KΩ	HJ35 7120	HF85 7120
1.8Ω	HJ35 3180	*	15Ω	HJ35 7150	HF85 7150
2.2Ω	HJ35 3220		18Ω	HJ35 7180	HF85 7180
3.3Ω	HJ35 3330		22Ω	HJ35 7220	HF85 7220
4.7Ω	HJ35 3470		27Ω	HJ35 7270	HF85 7270
5.6Ω	HJ35 3560		33Ω	HJ35 7330	HF85 7330
10Ω	HJ35 4100		39Ω	HJ35 7390	HF85 7390
15Ω	HJ35 4150		47Ω	HJ35 7470	HF85 7470
22Ω	HJ35 4220		56Ω	HJ35 7560	HF85 7560
27Ω	HJ35 4270		68Ω	HJ35 7680	HF85 7680
33Ω	HJ35 4330		82Ω	HJ35 7820	HF85 7820
39Ω	HJ35 4390		91Ω	HJ35 7910	HF85 7910
47Ω	HJ35 4470		100Ω	HJ35 8100	HF85 8100
56Ω	HJ35 4560		120Ω	HJ35 8120	HF85 8120
68Ω	HJ35 4680		150Ω	HJ35 8150	HF85 8150
82Ω	HJ35 4820		180Ω	HJ35 8180	HF85 8180
100Ω	HJ35 5100		220Ω	HJ35 8220	HF85 8220
110Ω	HJ35 5110		270Ω	HJ35 8270	HF85 8270
120Ω	HJ35 5120		330Ω	HJ35 8330	HF85 8330
150Ω	HJ35 5150		390Ω	HJ35 8390	HF85 8390
160Ω	HJ35 5160	*	470Ω	HJ35 8470	HF85 8470
180Ω	HJ35 5180		560Ω	HJ35 8560	HF85 8560
220Ω	HJ35 5220		680Ω	HJ35 8680	HF85 8680
270Ω	HJ35 5270		820Ω	HJ35 8820	HF85 8820
330Ω	HJ35 5330		1.0MΩ	HJ35 9100	HF85 9100
390Ω	HJ35 5390		1.2Ω	HJ35 9120	*
470Ω	HJ35 5470	*	1.5Ω	HJ35 9150	HF85 9150
510Ω	*		1.8Ω	HJ35 9180	HF85 9180
560Ω	HJ35 5560		2.2Ω	HJ35 9220	HF85 9220
680Ω	HJ35 5680		3.3Ω	HJ35 9330	HF85 9330
820Ω	HJ35 5820		3.9Ω	HJ35 9390	*
910Ω	HJ35 5910		4.7Ω	HJ35 9470	*
1.0KΩ	HJ35 6100				
1.2Ω	HJ35 6120				
1.5Ω	HJ35 6150				
1.8Ω	HJ35 6180				
2.0Ω	HJ35 6200				
2.2Ω	HJ35 6220				
2.4Ω	HJ35 6240				
2.7Ω	HJ35 6270				
3.0Ω	HJ35 6300				
3.3Ω	HJ35 6330				
3.6Ω	HJ35 6360				
3.9Ω	HJ35 6390				
4.7Ω	HJ35 6470				
5.1Ω	HJ35 6510				
5.6Ω	HJ35 6560				
6.8Ω	HJ35 6680				
8.2Ω	HJ35 6820				
9.1Ω	HJ35 6910				
10Ω	HJ35 7100				



CX-830